

## ▼ RTC Ultra-Thin Hydraulic Cylinder

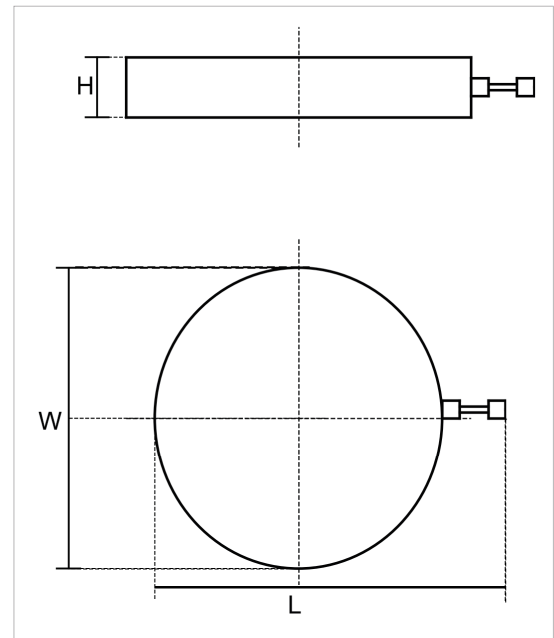
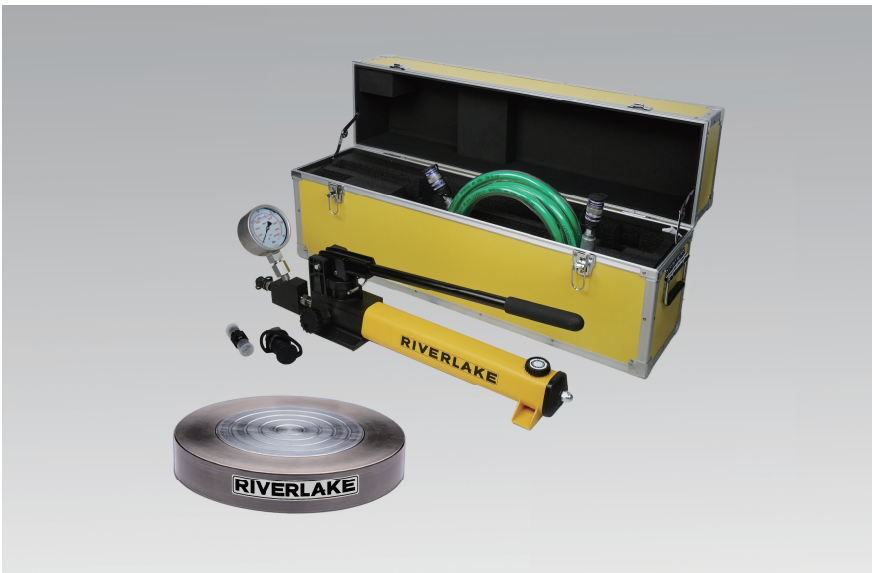


Rated Pressure: 150MPa

Rated Tonnage: 5 -200ton

Stroke Range: 10mm

- Ideal for confined-space applications
- Single-acting, load return
- Working pressure: 1500 bar
- All models are equipped with CEJN 116 male coupler.
- Custom specifications available



## ▼ RTC Model Specifications

Model Number	Capacity (Ton)	Stroke (mm)	Oil Capacity (cm <sup>3</sup> )	Collapsed Height H(mm)	Extended Height (mm)	Outside Dia(mm)	Plunger Dia(mm)	Self-alignment Angle	Body Length L(mm)	Body Width W(mm)
RTC-00510	5	10	3.46	30	40	60	21	*	125	60
RTC-01010	10	10	7.07	30	40	70	30	*	135	70
RTC-02510	25	10	17.35	30	40	90	47	*	155	90
RTC-05010	50	10	36.32	30	40	118	70	*	180	115
RTC-10010	100	10	69.40	33	43	152	94	3°	217	152
RTC-15010	150	10	105.68	34	44	180	116	3°	245	180
RTC-20010	200	10	135.85	35	45	204	132	3°	270	205