

▼ RSM/RCS Single-Acting Low-Height Cylinders

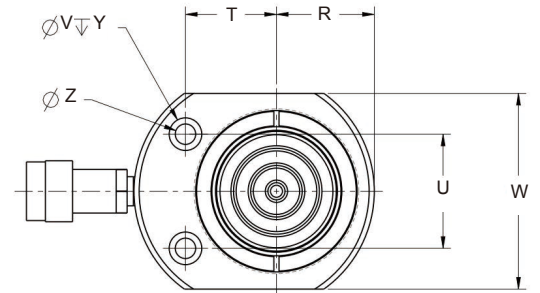
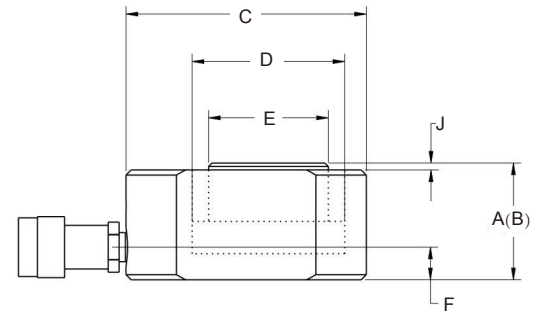


Rated Pressure: 70MPa

Rated Tonnage: 5-150ton

Stroke Range: 6-62mm

▼ RSM Outline Dimension:



RSM Series, Ultra-thin Hydraulic Cylinders:

- Compact, low-profile design for applications where other hydraulic cylinders cannot be used.
- RSM750/1000/1500 models are fitted with handles for easy transportation.
- Mounting holes allow for convenient fixation.
- All models come standard with SPX GEJN quick couplings and dust caps.
- Baked enamel finish delivers superior corrosion resistance.
- Single-acting, spring return.

RCS Series, Low-profile Hydraulic Cylinders:

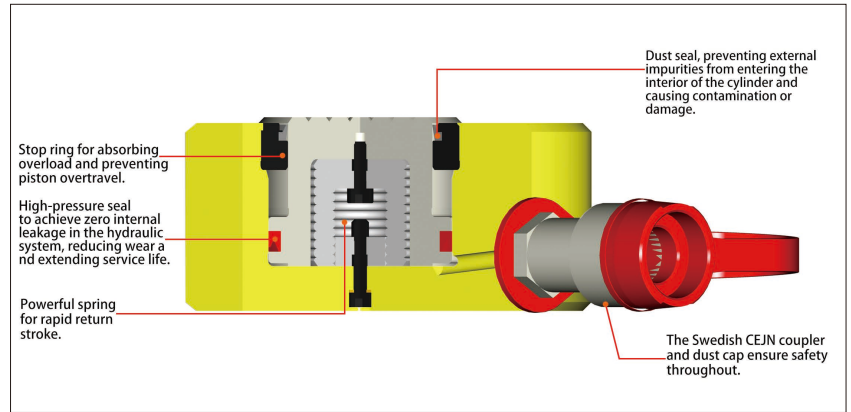
- Lightweight and compact design for confined working spaces.
- Dust seals reduce contamination and extend the service life of the hydraulic cylinders.
- All models are supplied standard with SPX GEJN quick couplings and dust caps.
- Threaded holes on the top of the grooved ram enable installation of tilting saddles.
- RCS-1002 is equipped with a handle for easy portability.
- Baked enamel surface treatment provides excellent corrosion resistance.
- Single-acting, spring return.

RSM Cylinders Mounting Hole Diameter Dimensions

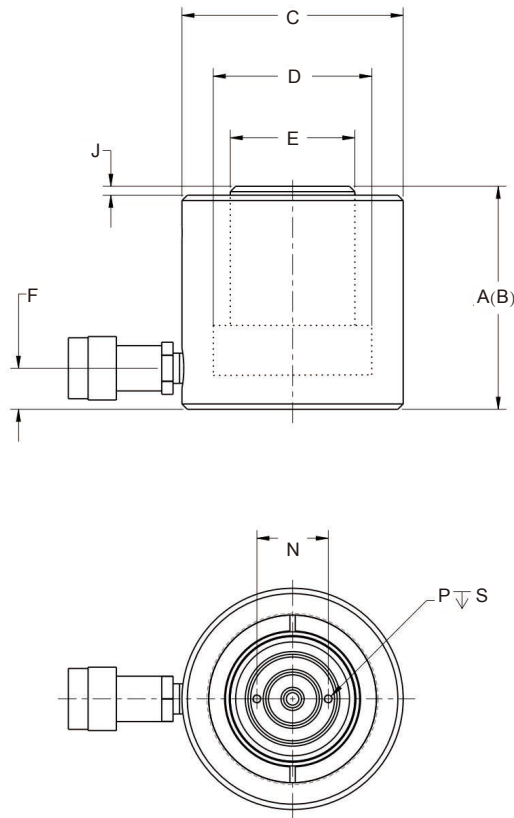
Model	Bolt Circle Diameter U(mm)	Hole Diameter Z (mm)	Counterbore Diameter V(mm)	Counterbore Length Y(mm)
RSM50	28.5	5.5	9.1	4.3
RSM100	36.6	7.1	10.7	7.9
RSM200	49.3	10	15.1	9.9
RSM300	52.3	10	15.9	11.2
RSM500	66.5	11	19	12.7
RSM750	76.2	13.5	20.6	14.2
RSM1000	76.2	13.5	20.6	14.2
RSM1500	117.3	13.5	20.6	14.2

Load Capacity ton (kN)	Model	Stroke (mm)	Effective Area of Cylinder (cm ²)	Hydraulic Oil Capacity (cm ³)
5(45)	RSM50	6	6.5	4
10(101)	RSM100	11	14.5	18
20(201)	RSM200	11	28.7	32
30(295)	RSM300	13	42.1	55
45(435)	RSM500	16	62.1	99
75(718)	RSM750	16	102.6	164
90(887)	RSM1000	16	126.7	203
150(1386)	RSM1500	16	198.1	317
10(101)	RCS101	38	14.5	55
20(201)	RCS201	45	28.7	129
30(295)	RCS302	62	42.1	261
45(435)	RCS502	60	62.1	373
90(887)	RCS1002	57	126.7	722

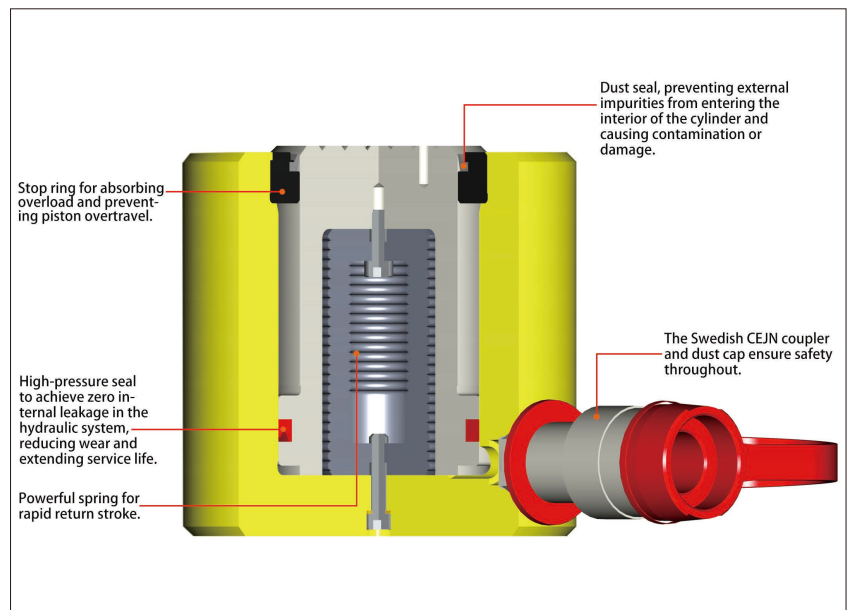
▼ RSM Performance Introduction:



▼ RCS Outline Dimension:



▼ RCS Performance Introduction:



Collapsed Height A (mm)	Height B (mm)	Outer Diameter C (mm)	Inner Diameter D (mm)	Piston Rod Diameter E (mm)	Oil Inlet Height from Bottom F (mm)	Piston Protrusion Height J (mm)	Distance T (mm)	Distance R (mm)	Thread P (mm)	Thread Depth S (mm)	Thread Circle Diameter N (mm)	Weight (kg)	Model
32	38	58X41	28.7	25.4	16	1	22X28.5	20	-	-	-	1.0	RSM50
43	54	82X55	42.9	38.1	19	1	34X36.6	27	-	-	-	1.4	RSM100
51	62	101X76	60.5	50.8	19	1	39X49.3	39	-	-	-	3.1	RSM200
58	71	117X95	73.2	63.4	19	2	44X52.3	47	-	-	-	4.5	RSM300
66	82	140X114	88.9	69.8	19	2	53X66.5	57	-	-	-	6.8	RSM500
79	95	165X139	114.3	82.6	19	2	66X76.2	69	-	-	-	11.3	RSM750
85	101	177X153	127	92.2	19	2	74X76.2	76	-	-	-	14.5	RSM1000
100	116	215X190	158.8	114.3	23	2	82X117.3	95	-	-	-	26.3	RSM1500
88	126	69	42.9	38.1	17	5	-	-	M4	8	26	2.7	RCS101
98	143	92	60.5	50.8	17	3	-	-	M5	8	40	5.0	RCS201
117	179	101	73.2	66.5	17	3	-	-	M5	8	40	6.8	RCS302
122	182	124	88.9	69.8	23	2	-	-	M5	8	40	10.0	RCS502
141	198	165	127	92.2	31	1	-	-	M8	10	55	20.7	RCS1002