

▼ RLT-Series, Low-Height Telescopic Cylinders



Rated Pressure: 70MPa

Rated Tonnage: 4.4-74.1ton

Stroke Range: 17-40mm

- Single-acting with load return
- Internal and external gas nitrocarburizing & post-oxidation surface treatment provides excellent corrosion resistance and side load resistance
- Suitable for confined space applications: machinery positioning, tool fastening
- Pre-drilled mounting bolt holes for easy installation and fixing
- Withstands side load up to 3% of full rated capacity
- Made of high-strength alloy steel for outstanding service life
- Long-stroke design allows moving loads over a longer distance without temporary support cribbing, saving working time and reducing project difficulty

▼ RLT Performance Introduction

The piston rod adopts gas nitriding treatment, featuring excellent wear resistance and corrosion resistance.

The gas-nitrided stop ring is used to absorb eccentric load and prevent plunger over-stroke.

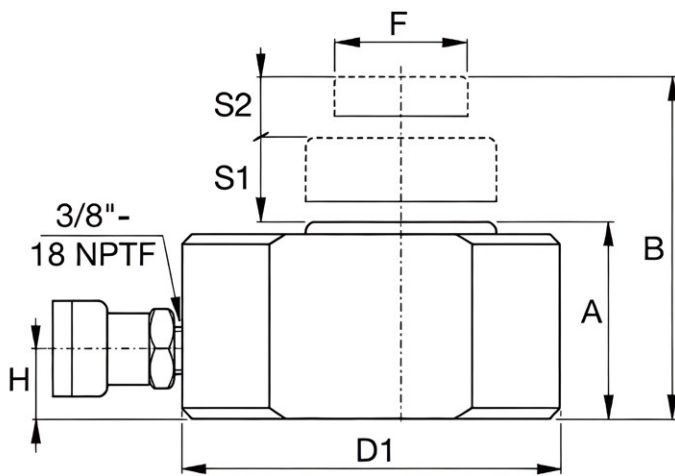
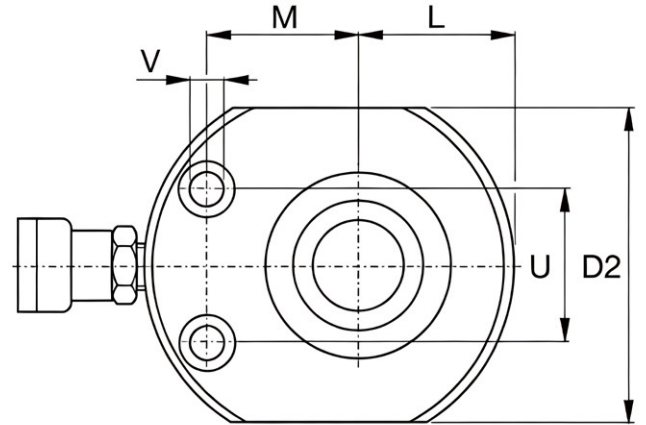
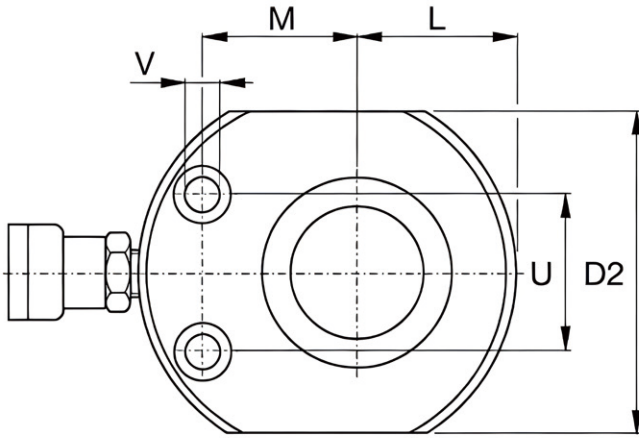
Dust seal, preventing external impurities from entering the interior of the cylinder and causing contamination or damage.

High-pressure seal to achieve zero internal leakage in the hydraulic system, reducing wear and extending service life.

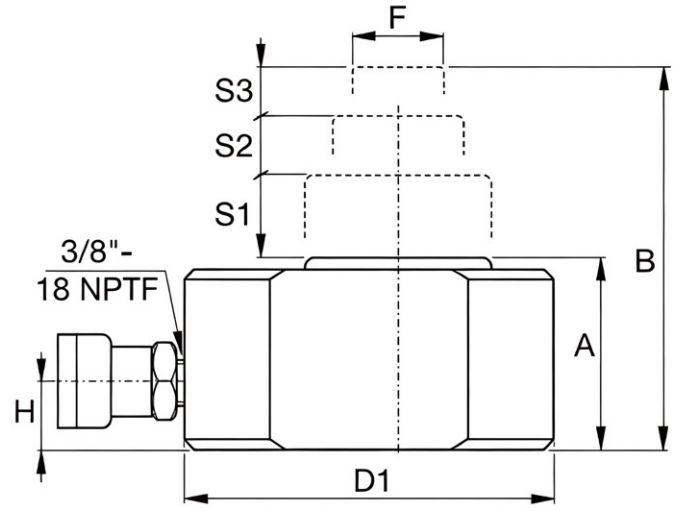
The cylinder barrel is treated by gas nitriding plus post-oxidation process, delivering superior corrosion resistance and enhanced anti-eccentric load performance.

The Swedish CEJN coupler and dust cap ensure safety throughout.

Model Number	Cylinder Capacity at Maximum Stroke (ton (kN))	Maximum Stroke (mm)	Collapsed Height A (mm)	Extended Height B (mm)	Oil Capacity (cm ³)	1st Stage	
						Capacity (ton (kN))	Stroke S1 (mm)
RLT40	4.4 (43)	17	45	62	21	11.4 (111)	11
RLT41	4.4 (43)	23	54	77	51	23.7 (232)	11
RLT110	11.4 (111)	18	54.5	72.5	48	23.7 (232)	11
RLT111	11.4 (111)	40	89	129	241	74.1 (727)	16
RLT230	23.7 (232)	27	75	102	150	50.6 (496)	16
RLT231	23.7 (232)	32	96	128	303	94.7 (929)	16
RLT311	31.5 (309)	29	89	118	224	74.1 (727)	16
RLT501	50.6 (496)	26	96	122	283	94.7 (929)	16
RLT741	74.1 (727)	26	114	140	426	143.5 (1407)	16



RLT40, 110, 230, 311, 501, 741



RLT41, 111, 231

RLT Cylinder Bottom Mounting Hole Dimensions (mm)

Model Number	Bolt Distance U	Hole Diameter V	Counter Bore Diameter	Counter Bore Depth
RLT40	37	6.5	11	7
RLT41	50	9.0	14	9
RLT110	50	9.0	14	9
RLT111	76	13.0	20	13
RLT230	67	13.0	20	13
RLT231	76	6.5	11	7
RLT311	76	13.0	20	13
RLT501	76	6.5	11	7
RLT741	117	9.0	14	9

▼ **RLT Multi-stage Cylinder**

Plunger Stage	Load Capacity	Stroke Performance
1st Stage	Maximum	Minimum
2nd Stage	Lower than the 1st Stage	Longer than the 1st Stage
Final Stage	Lowest	Maximum

2st Stage		3st Stage		Outside Diameter D1 × D2 (mm)	Plunger Diameter F (mm)	Bottom to Advance Port H (mm)	Plunger to Base L (mm)	Plunger to Mounting Hole M (mm)	Weight (kg)	Model Number
Capacity (ton (kN))	Stroke S2 (mm)	Capacity (ton (kN))	Stroke S3 (mm)							
4.4 (43)	6	-	-	83×56	25	20	29	33	1.8	RLT40
11.4 (111)	7	4.4 (43)	5	102×80	25	20	41	39	3.1	RLT41
11.4 (111)	7	-	-	102×80	38	20	41	39	3	RLT110
31.5 (309)	13	11.4 (111)	11	165×140	38	25	70.5	66	13.1	RLT111
23.7 (232)	11	-	-	140×114	57	20	58	56	7.6	RLT230
50.6 (496)	10	23.7 (232)	6	178×162	57	29	89	70	17.3	RLT231
31.5 (309)	13	-	-	165×140	60	25	70.5	66	13	RLT311
50.6 (496)	10	-	-	178×162	78	29	89	70	17.3	RLT501
74.1 (727)	10	-	-	216×196	95	35	108	78	30.4	RLT741