

▼ RCH Single-Acting Hollow Plunger Cylinders



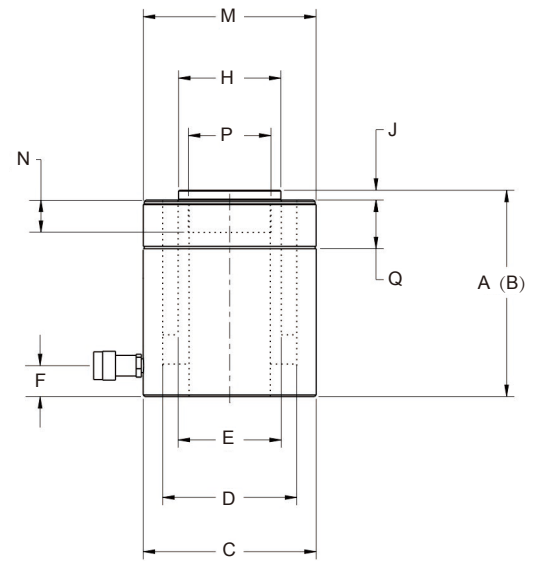
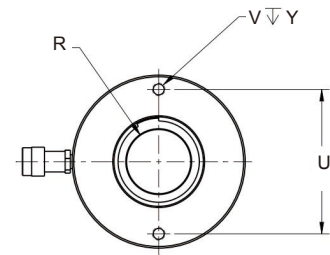
Rated Pressure: 70MPa

Rated Tonnage: 12 -95ton

Stroke Range: 8-155mm

Center Hole Dia: 17.3-79.0mm

- The hollow plunger design can be used for both tension and thrust
- Single-acting, spring-return
- Outer ring threads facilitate easy installation
- High-tonnage cylinders are equipped with certified G80 high-strength lifting eyes
- All models are equipped with base mounting holes
- High-grade polyurethane seals are adopted, featuring excellent sealing performance, wear resistance, and a long service life
- The hollow piston is equipped with threaded holes, allowing the configuration of non-standard saddles to adapt to more working conditions
- Dust seals reduce contamination and prolong the service life of the hydraulic cylinder
- All-weather protection from the inside outside
- Equipped with a breather port for smooth extension and fast retraction
- Baked paint surface treatment offers superior corrosion resistance.

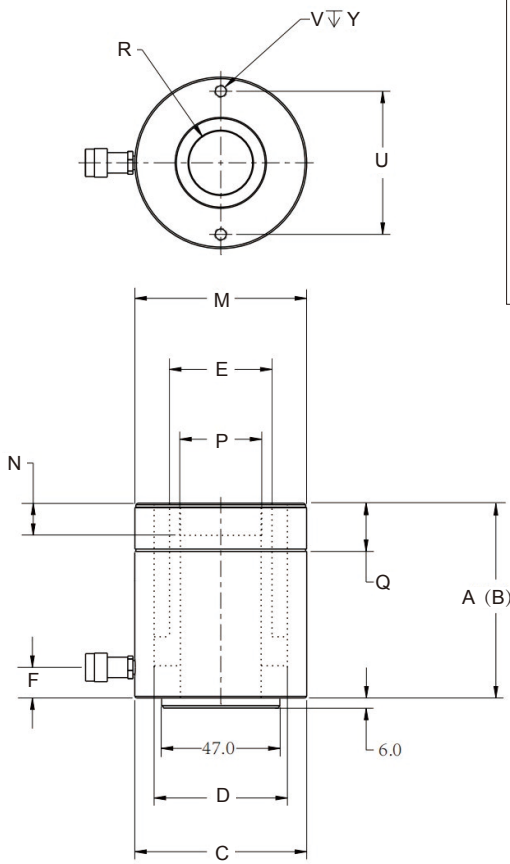
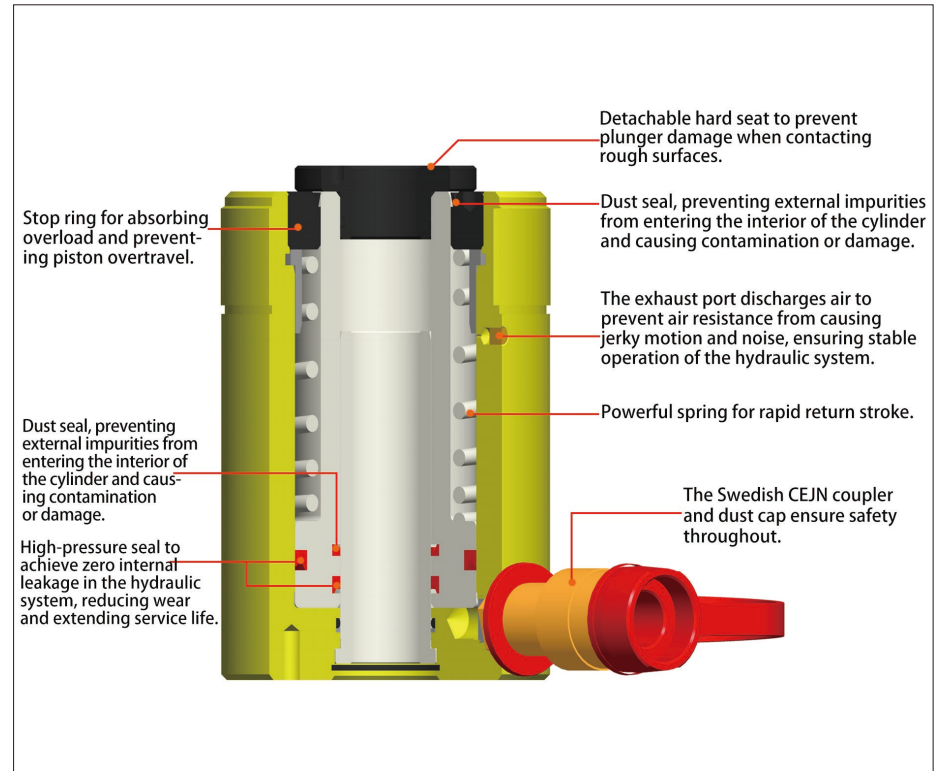


▼ RCH Type Specification Sheet:

RCH-120-RCH-123

Capacity (ton)	Stroke (mm)	Model Number	Effective Area (cm ²)	Oil Capacity (cm ³)	Collapsed Height A (mm)	Extended Height B (mm)	Outside Diameter C (mm)	Bore Diameter D (mm)	Plunger Diameter E (mm)	Bottom to Advance Port F (mm)
12 (125)	8	RCH120	17.9	14	55	63	70	54.1	35.1	9
	42	RCH121	17.9	75	120	162	70	54.1	35.1	25
	42	RCH1211	17.9	75	120	162	70	54.1	35.1	25
	76	RCH123	17.9	136	184	260	70	54.1	35.1	25
20 (215)	49	RCH202	30.7	150	162	211	98.5	73.1	54.1	19
	155	RCH206	30.7	476	306	461	98.5	73.1	54.1	25
30 (326)	64	RCH302	46.6	298	178	242	114	88.9	63.5	21
	155	RCH306	46.6	722	330	485	114	88.9	63.5	25
60(576)	76	RCH603	82.3	626	247	323	159	123.9	91.9	31
	153	RCH606	82.3	1259	323	476	159	123.9	91.9	31
95(931)	76	RCH1003	133	1011	254	330	213	165.1	127	38

▼ RCH Performance Introduction:



RCH-202-RCH-1003

RCH Steel Base Plate Mounting Holes (mm)			
Model	Bolt Circle U(mm)	Thread V(mm)	Thread Depth Y(mm)
RCH120	50.8	5/16" - 18 UNC	9
RCH121	-	-	-
RCH1211	-	-	-
RCH123	50.8	5/16" - 18 UNC	12.7
RCH202	82.6	3/8" - 16 UNC	9.4
RCH206	82.6	3/8" - 16 UNC	9.4
RCH302	92.2	3/8" - 16 UNC	14
RCH306	92.2	3/8" - 16 UNC	14
RCH603	130.3	1/2" - 13 UNC	14
RCH606	130.3	1/2" - 13 UNC	14
RCH1003	177.8	5/8" - 11 UNC	19

Saddle Diameter H (mm)	Saddle Protrusion Height J (mm)	Plunger Internal Thread P	Plunger Thread Length N (mm)	Collar Thread Specification M	Collar Thread Depth Q (mm)	Central Hole Diameter R (mm)	Weight (kg)	Model
-	-	3/4"-16 UN	16	2 3/4"-16	30	17.3	1.5	RCH120
-	-	-	-	2 3/4"-16	30	19.5	2.8	RCH121
-	-	3/4"-16 UN	16	2 3/4"-16	30	17.3	2.8	RCH1211
-	-	-	-	2 3/4"-16	30	19.5	4.4	RCH123
54	9.7	1 9/16"-16 UN	19	3 7/8"-12	38	26.9	7.7	RCH202
54	9.7	1 9/16"-16 UN	19	3 7/8"-12	38	26.9	14.1	RCH206
63	9	1 13/16"-16 UN	22	4 1/2"-12	42	33.3	10.9	RCH302
63	9	1 13/16"-16 UN	22	4 1/2"-12	42	33.3	21.8	RCH306
91	12	2 3/4"-16 UN	19	6 1/4"-12	48	53.8	28.1	RCH603
91	12	2 3/4"-16 UN	19	6 1/4"-12	48	53.8	35.4	RCH606
126	12	4"-16 UN	25	8 3/8"-12	60	79	63	RCH1003