

▼ RAR Double-Acting Aluminum Hydraulic Cylinder



Rated Pressure: 70MPa

Rated Tonnage: 20-150ton

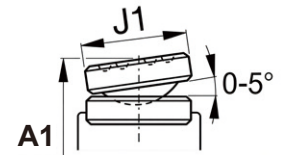
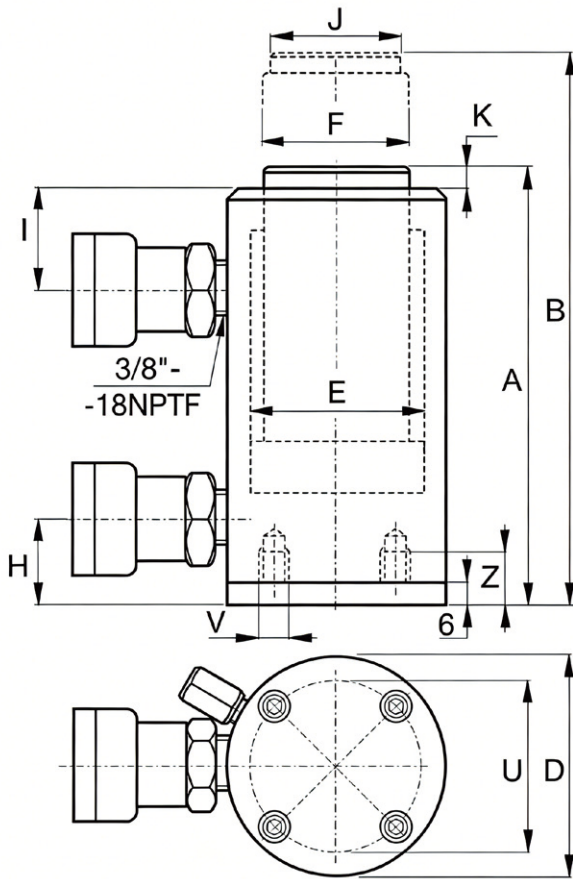
Stroke Range: 50-250mm



Removable Saddle
All RAR cylinders are fitted with bolt-on removable hardened steel saddles.

- Double-acting design enables fast retraction of the cylinder, independent of hose length and system pressure loss.
 - Composite wear rings avoid metal-to-metal contact, extend service life and withstand 10% side load.
 - All RAR cylinder models are equipped with carrying handles.
 - Steel base and saddle prevent damage under load.
 - Integrated stop ring limits over-extension of the plunger and withstands the maximum lifting force of the cylinder.
 - Hardened surface resists damage and prolongs service life.
- External safety valve prevents accidental overpressure.

Cylinder Capacity (ton)	Stroke (mm)	Model Number	Maximum Cylinder Capacity (kN)	Cylinder Effective Area (cm ²)	
			Push	Push	Pull
20	50	RAR202	218	31.2	18.6
	100	RAR204	218	31.2	18.6
	150	RAR206	218	31.2	18.6
	200	RAR208	218	31.2	18.6
	250	RAR2010	218	31.2	18.6
30	50	RAR302	309	44.2	24.5
	100	RAR304	309	44.2	24.5
	150	RAR306	309	44.2	24.5
	200	RAR308	309	44.2	24.5
	250	RAR3010	309	44.2	24.5
50	50	RAR502	496	70.9	26.7
	100	RAR504	496	70.9	26.7
	150	RAR506	496	70.9	26.7
	200	RAR508	496	70.9	26.7
	250	RAR5010	496	70.9	26.7
100	50	RAR1002	1002	143.1	79.5
	100	RAR1004	1002	143.1	79.5
	150	RAR1006	1002	143.1	79.5
	200	RAR1008	1002	143.1	79.5
	250	RAR10010	1002	143.1	79.5
150	50	RAR1502	1589	227	132
	100	RAR1504	1589	227	132
	150	RAR1506	1589	227	132
	200	RAR1508	1589	227	132
	250	RAR15010	1589	227	132



Optional Bolt-on Tilt Saddle Dimensions			
Cylinder Model / Capacity (ton)	Tilt Saddle Model Number	Tilt Saddle Diameter J1 (mm)	Addition to Collapsed Height A1 (mm)
RAR20	CATS20	42	10
RAR30	CATS30	55	11
RAR50	CATS50	71	14
RAR100	CATS101	71	10
RAR150	CATS150	97	19

Steel Base Mounting Holes			
Cylinder Model / Capacity (ton)	Bolt Circle U (mm)	Thread V (mm)	Thread Depth W (mm)
RAR20	93	M6	12
RAR30	105	M6	12
RAR50	110	M6	12
RAR100	155	M6	12
RAR150	200	M6	12

	Oil Capacity (cm ³)		Collapsed Height A (mm)	Extended Height B (mm)	Outside Diameter D (mm)	Cylinder Bore Diameter E (mm)	Plunger Diameter F (mm)	Bottom to Advance Port H (mm)	Top to Retract Port I (mm)	Saddle Diameter J (mm)	Saddle Protrusion from Plunger K (mm)	Weight (kg)	Model Number
	Push	Pull											
	156	93	189	239	113	63	40	30	50	30	3	7.4	RAR202
	312	186	239	339	113	63	40	30	50	30	3	8	RAR204
	468	279	289	439	113	63	40	30	50	30	3	8.6	RAR206
	624	372	339	539	113	63	40	30	50	30	3	9.2	RAR208
	780	465	389	639	113	63	40	30	50	30	3	9.8	RAR2010
	221	123	201	251	125	75	50	30	55	40	3	8.6	RAR302
	442	245	251	351	125	75	50	30	55	40	3	9.5	RAR304
	663	368	301	451	125	75	50	30	55	40	3	10.4	RAR306
	884	490	351	551	125	75	50	30	55	40	3	11.3	RAR308
	1105	613	401	651	125	75	50	30	55	40	3	12.2	RAR3010
	354	134	201	251	145	95	75	30	56	50	3	11.1	RAR502
	709	267	251	351	145	95	75	30	56	50	3	12.7	RAR504
	1063	401	301	451	145	95	75	30	56	50	3	14.3	RAR506
	1417	534	351	551	145	95	75	30	56	50	3	15.9	RAR508
	1771	668	401	651	145	95	75	30	56	50	3	17.5	RAR5010
	715	398	251	301	185	135	90	43	80	75	3	16.4	RAR1002
	1431	795	301	401	185	135	90	43	80	75	3	19.3	RAR1004
	2147	1193	351	501	185	135	90	43	80	75	3	22.2	RAR1006
	2863	1590	401	601	185	135	90	43	80	75	3	25.1	RAR1008
	3578	1988	451	701	185	135	90	43	80	75	3	28	RAR10010
	1135	660	248	298	230	170	110	38	75	94	3	24.2	RAR1502
	2270	1320	298	398	230	170	110	38	75	94	3	28.9	RAR1504
	3405	1980	348	498	230	170	110	38	75	94	3	33.2	RAR1506
	4540	2640	398	598	230	170	110	38	75	94	3	37.9	RAR1508
	5675	3300	448	698	230	170	110	38	75	94	3	42.6	RAR15010