

## ▼ RAC Single-acting Aluminum Cylinder



Rated Pressure: 70MPa

Rated Tonnage: 10-150ton

Stroke Range: 50-250mm



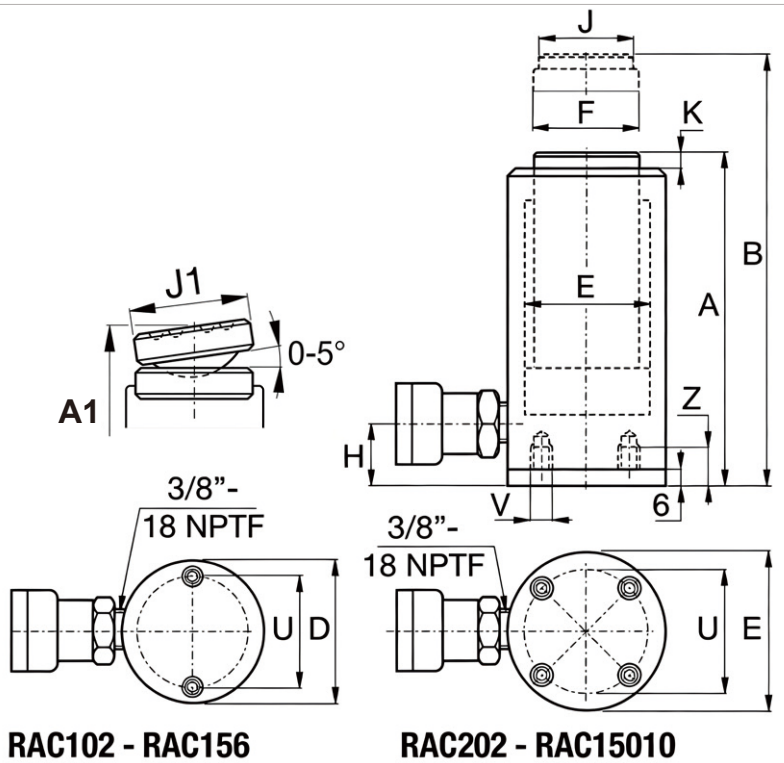
**Removable Saddle**  
All RAC cylinders are fitted with bolt-on removable hardened steel saddles.

- Composite Wear Ring: Prevents direct metal-to-metal contact, extends cylinder service life, and withstands side loads up to 10%.
  - Fully hardened surface treatment avoids damage from external forces, further extending cylinder service life.
  - Cylinders from 30 to 150 ton capacity come standard with carrying handles for easy operation and handling.
  - Standard saddle effectively prevents cylinder damage during load-bearing operations.
  - RAC20 and larger tonnage cylinders are equipped with a standard steel base; RAC10 and RAC15 tonnage cylinders offer an optional steel base to suit different application requirements.
  - Stop Ring Protection: The integrated stop ring prevents over-extension of the plunger and withstands the cylinder's maximum lifting force.
  - High-strength return spring assists the cylinder in fast retraction, improving work efficiency.
- All cylinder models are equipped with CEJN quick couplings and dust caps to ensure convenient connection and cleanliness.



**Hand Pump**  
RIVERLAKE  
Lightweight Hand Pump P392, your ideal choice for matching light-duty accessories.

Cylinder Capacity at 700 bar ton (kN)	Stroke (mm)	Model Number	Cylinder Effective Area (cm <sup>2</sup> )	Oil Capacity (cm <sup>3</sup> )
10 (88)	50	RAC102	12.6	60
10 (88)	100	RAC104	12.6	130
10 (88)	150	RAC106	12.6	190
15 (137)	50	RAC152	19.6	100
15 (137)	100	RAC154	19.6	200
15 (137)	150	RAC156	19.6	290
20 (218)	50	RAC202	31.2	156
20 (218)	100	RAC204	31.2	312
20 (218)	150	RAC206	31.2	468
20 (218)	200	RAC208	31.2	624
20 (218)	250	RAC2010	31.2	780
30 (309)	50	RAC302	44.2	221
30 (309)	100	RAC304	44.2	442
30 (309)	150	RAC306	44.2	663
30 (309)	200	RAC308	44.2	884
30 (309)	250	RAC3010	44.2	1105
50 (496)	50	RAC502	70.9	354
50 (496)	100	RAC504	70.9	709
50 (496)	150	RAC506	70.9	1063
50 (496)	200	RAC508	70.9	1417
50 (496)	250	RAC5010	70.9	1771
100 (1002)	50	RAC1002	143.1	715
100 (1002)	100	RAC1004	143.1	1431
100 (1002)	150	RAC1006	143.1	2147
100 (1002)	200	RAC1008	143.1	2863
100 (1002)	250	RAC10010	143.1	3578
150 (1589)	50	RAC1502	227	1135
150 (1589)	100	RAC1504	227	2270
150 (1589)	150	RAC1506	227	3405
150 (1589)	200	RAC1508	227	4540
150 (1589)	250	RAC15010	227	5675



### ▼ Dimensions of optional bolt-on tilt saddle

For Cylinder Model / Capacity ton	Tilt Saddle Model Number	Tilt Saddle Diameter J1 (mm)	Addition to Collapsed Height A1 (mm)
RAC20, 30	CATS30	55	11
RAC50	CATS50	71	14
RAC100	CATS150	97	19
RAC150	CATS200	126	18

◆ Tilt saddle is not available for 10-ton and 15-ton models.

### ▼ Optional steel base plate

For Cylinder Model / Capacity ton	Base Plate Model Number
RAC10	JBA10
RAC15	JBA15

◆ Models from 10 to 150 ton are equipped with base plate of 6mm height; base plate is optional for 10 and 15 ton models.

Collapsed Height A (mm)	Extended Height B (mm)	Outside Diameter D (mm)	Cylinder Bore Diameter E (mm)	Plunger Diameter F (mm)	Bottom to Advance Port H (mm)	Saddle Diameter J (mm)	Saddle Protrusion from Plunger K (mm)	Bolt Circle U (mm)	Thread V	Thread Depth Z (mm)	Weight (kg)	Model Number
154	201	58	40	32	23	24	3	39	M6	12	1.3	RAC102
204	304	58	40	32	23	24	3	39	M6	12	1.7	RAC104
254	404	58	40	32	23	24	3	39	M6	12	2	RAC106
161	211	70	50	40	23	29	3	48	M6	12	1.9	RAC152
211	311	70	50	40	23	29	3	48	M6	12	2.4	RAC154
261	411	70	50	40	23	29	3	48	M6	12	2.9	RAC156
174	224	85	63	50	27	40	3	70	M6	12	3.6	RAC202
224	324	85	63	50	27	40	3	70	M6	12	4.1	RAC204
274	424	85	63	50	27	40	3	70	M6	12	4.6	RAC206
324	524	85	63	50	27	40	3	70	M6	12	5.1	RAC208
374	624	85	63	50	27	40	3	70	M6	12	5.6	RAC210
181	231	100	75	60	32	40	3	80	M6	12	4.5	RAC302
231	331	100	75	60	32	40	3	80	M6	12	5.2	RAC304
281	431	100	75	60	32	40	3	80	M6	12	5.9	RAC306
331	531	100	75	60	32	40	3	80	M6	12	6.6	RAC308
381	631	100	75	60	32	40	3	80	M6	12	7.3	RAC3010
186	236	130	95	80	30	50	3	110	M8	12	8.5	RAC502
236	336	130	95	80	30	50	3	110	M8	12	9.8	RAC504
286	436	130	95	80	30	50	3	110	M8	12	11.1	RAC506
336	536	130	95	80	30	50	3	110	M8	12	12.4	RAC508
386	636	130	95	80	30	50	3	110	M8	12	13.7	RAC5010
221	271	180	135	110	46	94	3	150	M10	12	17.3	RAC1002
271	371	180	135	110	46	94	3	150	M10	12	19.6	RAC1004
321	471	180	135	110	46	94	3	150	M10	12	21.9	RAC1006
371	571	180	135	110	46	94	3	150	M10	12	24.2	RAC1008
421	671	180	135	110	46	94	3	150	M10	12	26.5	RAC10010
243	293	230	170	140	51	113	3	200	M10	12	25.3	RAC1502
293	393	230	170	140	51	113	3	200	M10	12	29.3	RAC1504
343	493	230	170	140	51	113	3	200	M10	12	33.3	RAC1506
393	593	230	170	140	51	113	3	200	M10	12	37.3	RAC1508
443	693	230	170	140	51	113	3	200	M10	12	41.3	RAC15010