

▼ Post Tension Hydraulic Pump



Maximum output pressure: 70MPa

Motor size: 1.1KW

Low pressure flow: 6/6.5L/Min

Medium pressure flow: 1.5L/Min

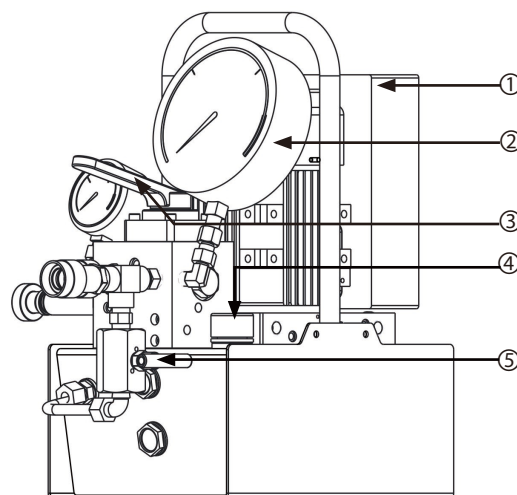
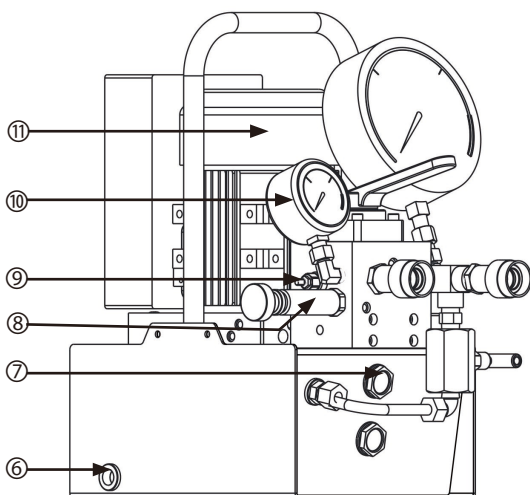
High pressure flow: 0.7L/Min

- Brushless motor, maintenance-free
- P port is equipped with a precision pressure regulating valve for continuous and precise pressure adjustment
- A port is configured with a 150mm-diameter precision pressure gauge, featuring quick-acting non-rotating disassembly and assembly
- Port A is equipped with a hydraulic lock, ensuring long-term pressure retention without leakage
- A port is equipped with a pressure relief needle valve for precise pressure reduction control
- Configure the R port with a 20MPa pressure limit valve
- Configure an independent pressure gauge for the R port
- Configure 3-meter wired controller

▼ HE4007MVL43-SP Specification Sheet:

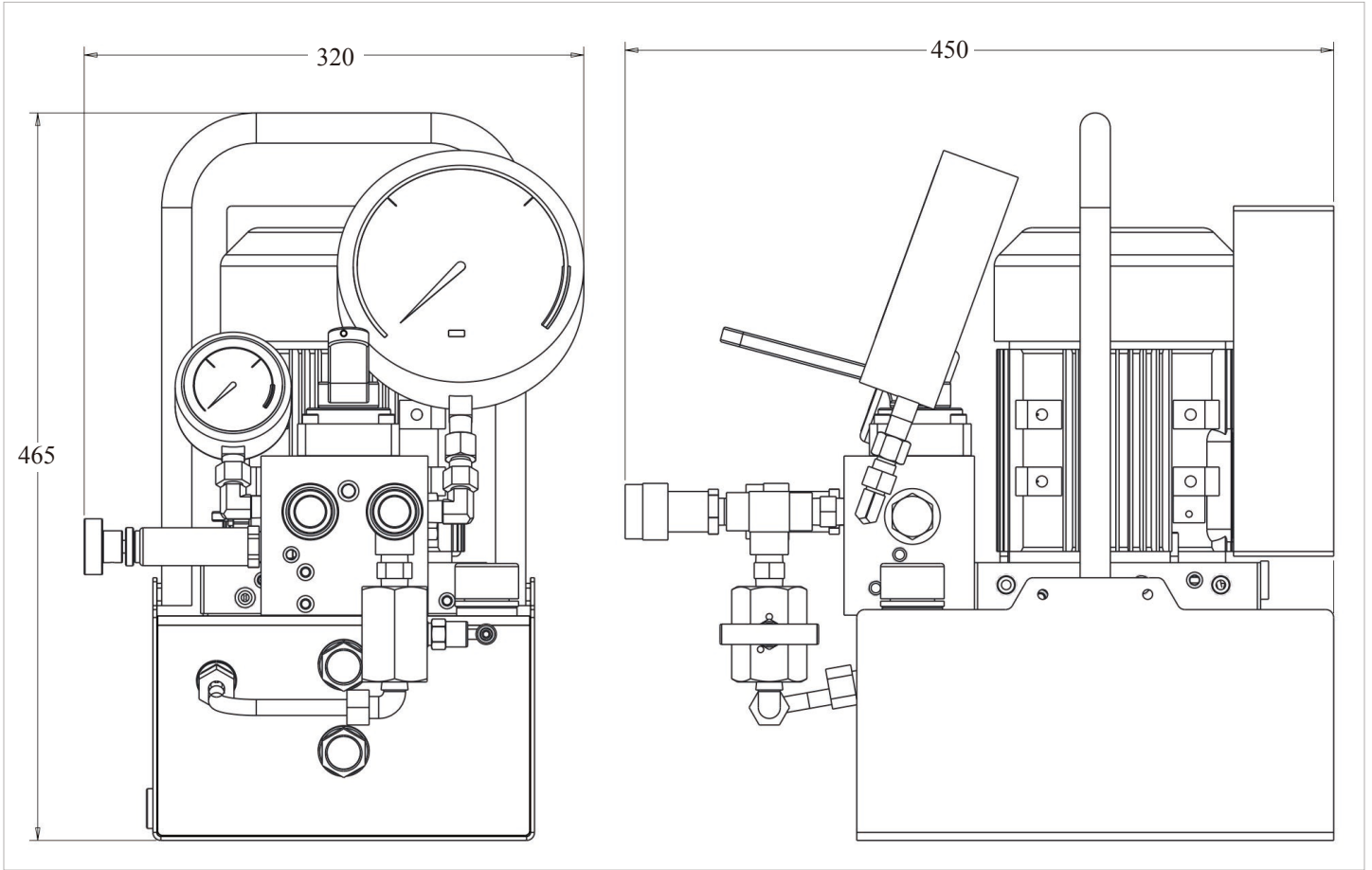
Model Number	Voltage (VAC/HZ)	Motor Size (KW)	Low Pressure Flow(L/Min)	Medium Pressure Flow(L/Min)	High Pressure Flow(L/Min)	Reservoirs Capacity (L)	Weight without oil (KG)
HE4007MVL43-SP	230/50	1.1	6	1.5	0.7	7	30
HE4007MVL43-SP-115/60	115/60	1.1	6.5	1.5	0.7	7	30

▼ HE4007MVL43-SP Product Illustration :

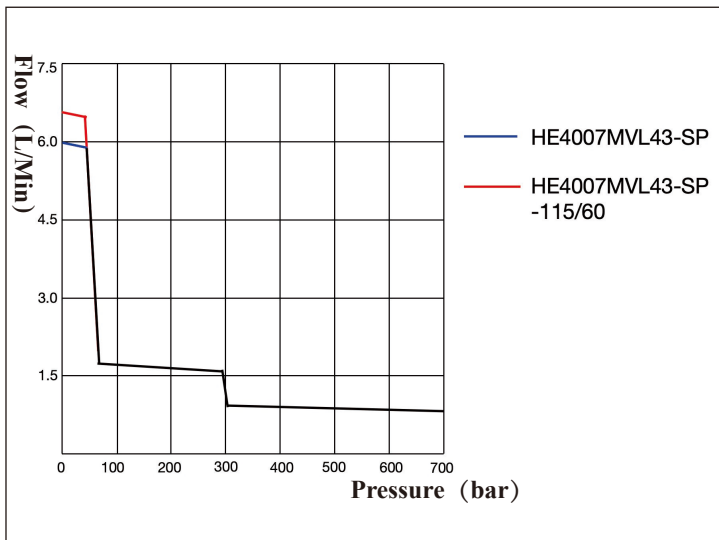


NO	Name
1	Electrical Control Box
2	A Port Pressure Gauge
3	Manual Directional Control Valve
4	Filler & Vent Port
5	V82 Needle Valve
6	Oil Drain Port
7	Oil Level Gauge
8	P Port Relief Valve
9	R Port Pressure Limiting Valve
10	A Port Pressure Gauge
11	Power Motor

▼ HE4007MVL43-SP Overall Dimensions :



▼ HE4007MVL43-SP Flow Curve:



▼ Hydraulic Schematic Diagram :

