

PTW Pneumatic Wrench

▼ PTW Single-Speed Pneumatic Wrench



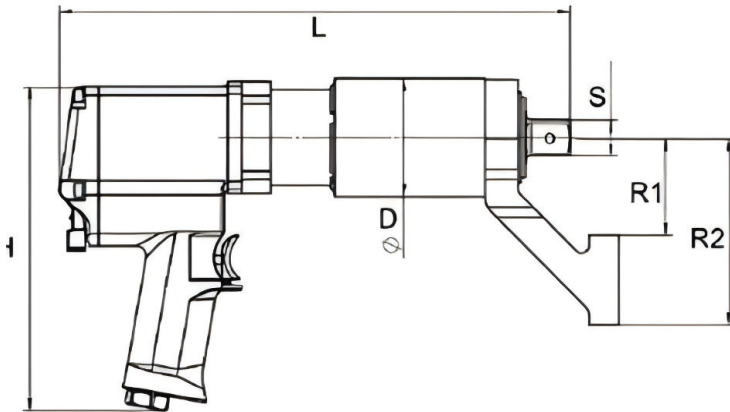
Maximum Torque: 100-12000N·m

Accuracy: ±2%

Maximum Working Pressure: 70MPa

- Provides reliable and durable solutions for the installation and removal of heavy-duty nuts.
- Stable torque output, free from impact damage, with long service life.
- Japanese imported heavy-industry grade motor, delivering strong power.
- Ultra-high strength alloy steel gear reducer (tensile strength ≥ 1800 MPa), unique variable speed design for higher efficiency within the same volume.
- Processing technology using imported equipment ensures high gear precision.
- Optimized matching between motor and gearbox: torque output accuracy $\pm 4\%$, repeatability $\pm 2\%$.
- High-precision digital pressure gauge with minimal pressure adjustment error.
- Fully enclosed aluminum alloy housing: lightweight, aesthetic, durable and rugged.
- Ergonomic tool carry basket for easy movement between workstations.

▼ PTW Pneumatic Wrench Specifications

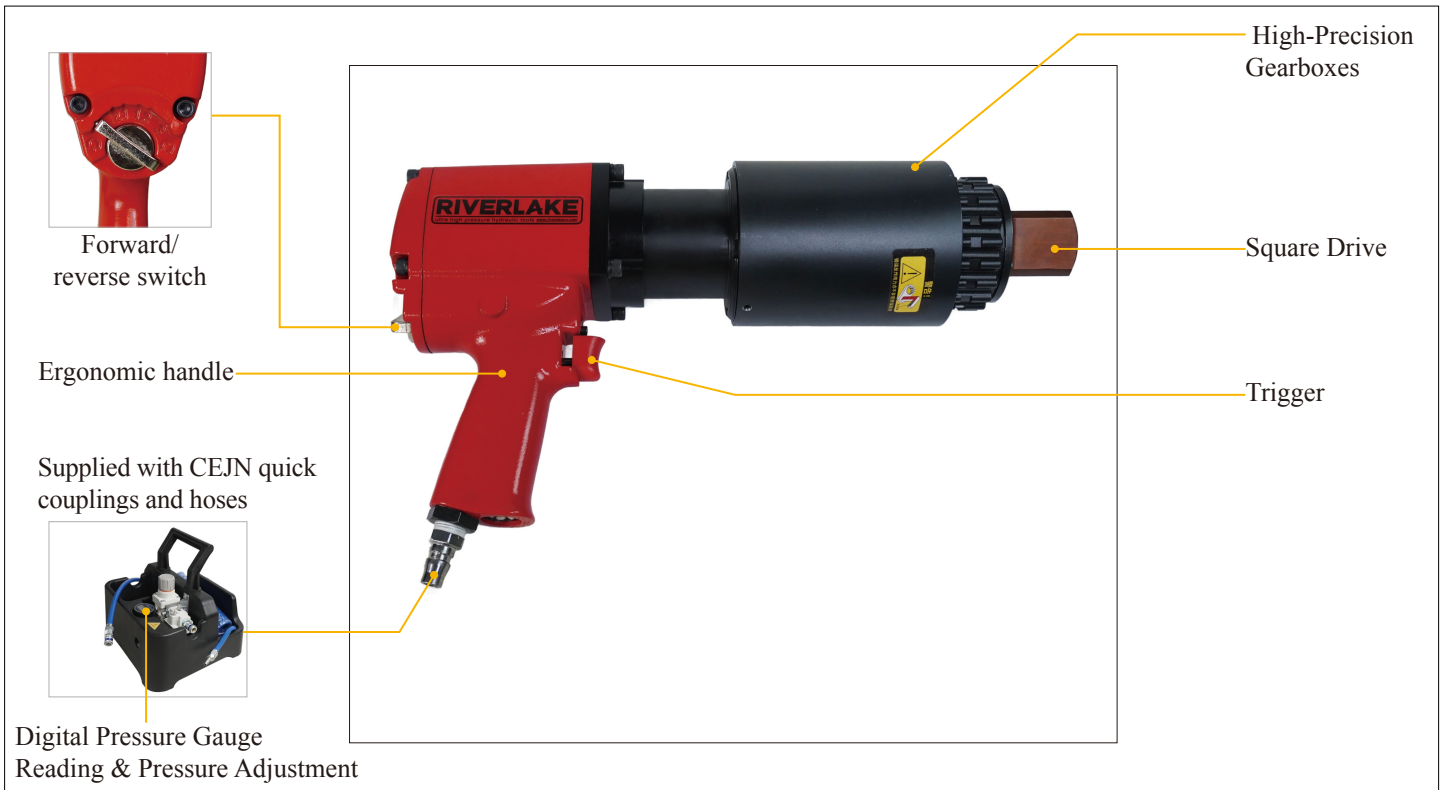


▼ PTW Packing List

Description	Specification	Qty
PTW	Single-Speed Pneumatic Wrench	1
Reaction Arm	-	1
Carry Basket with FRL Unit	-	1
Carrying Case	-	1

Model	Min. Torque (N·m)	Max. Torque (N·m)	Output Square S	Dimensions (mm)					Max. Speed (RPM)	Weight (kg)
				D	L	H	R1	R2		
PTW05	100	500	3/4"	65	280	210	53	105	35	4.5
PTW10	150	1000	3/4"	69	295	210	60	105	15	5.4
PTW15	200	1500	1"	80	343	210	66	126	7.0	6.5
PTW20	300	2000	1"	80	343	210	66	126	6.5	6.5
PTW30	500	3000	1"	88	358	210	85	150	4.5	9.5
PTW40	700	4000	1-1/2"	98	371	210	86	152	3.5	9.8
PTW60	1000	6000	1-1/2"	105	414	210	88	158	2.0	15
PTW80	2000	8000	1-1/2"	125	431	210	120	200	1.2	17
PTW120	2500	12000	1-1/2"	135	450	210	130	220	1.0	25

▼ PTW Pneumatic Wrench Introduction



▼ Application Examples of PTW Wrenches

