

▼ PTS High-Speed Pneumatic Wrench



Maximum Torque: 100-4000N·m

Accuracy: ±2%

Maximum Working Pressure: 70MPa

Advanced Lightweight Design:

- Featuring a compact design powered by a new generation of high-performance imported lightweight motors, the PTS Series integrates an aluminum-titanium alloy body that delivers exceptional strength while maintaining remarkable portability.
- The enclosed lightweight aluminum alloy casing ensures stable torque output, exceptional durability, and significantly lower noise levels compared to competitive models.

Reliable Heavy-Duty Performance:

- Provides a reliable and durable solution for installing and loosening heavy nuts, delivering continuous and stable torque output with effortless operation and no counterforce-effectively eliminating destructive nut hammering.
- The ergonomic, comfortable handle reduces operator fatigue and injury risk while enhancing overall production efficiency.

Precision Torque Control:

- Torque output accuracy reaches ±4%, with repeatability accuracy of ±2%.
- Features a closed-type low-torque digital display for quick and accurate preset tightening torque. An optional digital display allows torque adjustment in 10 N·m increments, providing more precise target torque selection (customizable).

Intelligent Connectivity & Smart System Integration:

- The closed-type PTS pneumatic torque wrench can be equipped with Bluetooth and wireless modules to connect with the ST series smart sockets, enabling sensor verification, joint calibration, and precise control and tracking of torque output terminals (customizable).

- With the ST series intelligent kit, the PTS Series achieves precise control of torque output target units. High precision can reach ±2% with the optional sensor system (customizable).

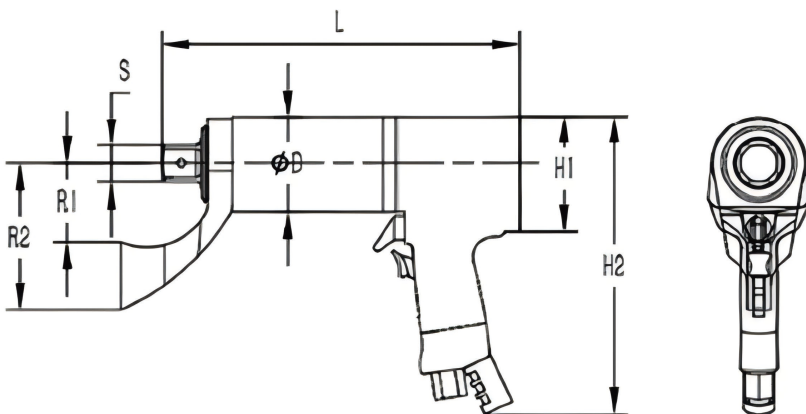
Superior Gearbox Engineering:

- Features an ultra-high-strength alloy steel gear reduction box (tensile strength exceeding 1800 MPa) with a unique automatic speed adjustment design.
- This configuration delivers greater efficiency than comparable wrenches, achieving higher performance within the same compact volume.
- Gear precision ranges from grade 6 to 7, supported by imported hobbing and forming gear grinding equipment that ensures scientific, stable processing technology.

Premium Components & Ergonomic Transport:

- Equipped with Japanese SMC FRL components and Swedish CEJN quick couplings and hoses for exceptional durability and long service life.
- The lightweight tool basket features an ergonomic design, making it more convenient to move between work positions.
- Operates without shock force or counterforce, featuring an automatic transmission design for smooth, consistent performance.

▼ PTS Technical Parameters



▼ PTS Packing List

Model	Min. Torque (N·m)	Max. Torque (N·m)	Drive Square	Dimensions (mm)						Max. Speed (RPM)	Weight (kg)
				D	L	H1	H2	R1	R2		
PTS05	100	500	3/4"	60	110	70	185	56	99	65	2.8
PTS10	150	1000	3/4"	63	220	70	185	60	105	30	3.6
PTS15	200	1500	1"	63	220	70	185	66	126	20	3.9
PTS20	300	2000	1"	70	230	70	185	66	126	17	4.2
PTS30	500	3000	1"	78	240	70	185	185	85	6.2	6.2
PTS40	700	4000	1"	80	260	70	185	185	85	6.8	6.8

Item	Description	Qty
PTS	High-Speed Pneumatic Wrench	1
Reaction Torque Arm	-	1
Basket-type FRL Unit	-	1
Carrying Case	-	1

▼ PTS Wrench Introduction



▼ PTS Application Examples

