

▼ IPR-Series, Roll-Frame Presses



Capacity: 50-200ton

Max. Daylight : 1295mm

Max. Width : 1222mm

Max. Working Pressure: 70MPa

- Adopts high-quality welded frame with excellent strength for long service life.
- Fitted with four stainless steel casters for easy movement.
- Features a unique hydraulic lifting platform to adjust vertical platen clearance effortlessly.
- Standard rolling structure enables lateral movement and positioning locking of hydraulic cylinder.
- All models in the selection chart come complete with matched pump, hydraulic cylinder, hoses and pressure gauge for full package solution.
- Rolling frame integrates a heavy-duty fixed platform.
- Hydraulic clamping cylinder locks the press frame securely.



Hydraulic Lifting Device
Compatible with RIVERLAKE presses for retrofitting existing units. Standard equipment for most H-frame presses.

▼ IPR Series Press Specifications:

Press Capacity (ton (kN))	Vertical Daylight A(mm)		Maximum Bed Width E (mm)	Electric Pump Model Number	Press Model Number	Double-Acting Cylinder		Speed (mm/sec)	
	Min	Max				Stroke (mm)	Model Number	Rapid Advance	Pressing
50 (498)	152	942	730	HE4010EVL43R	IPR-5075	334	RR-5013	4.1	3.9
100 (933)	159	1048	889	HE5010EVL43R	IPR-10075	333	RR-10013	7.7	0.7
200 (1995)	279	1295	1219	HE7020EVL43R	IPR-20075	330	RR-20013	5.2	0.5



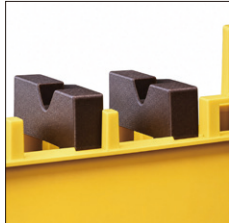
Hydraulic Cylinder Mounting Bracket

Used to install the hydraulic cylinder into the press, allowing for left-right adjustment of the cylinder position.



Rolling Frame Press Pressure Gauge

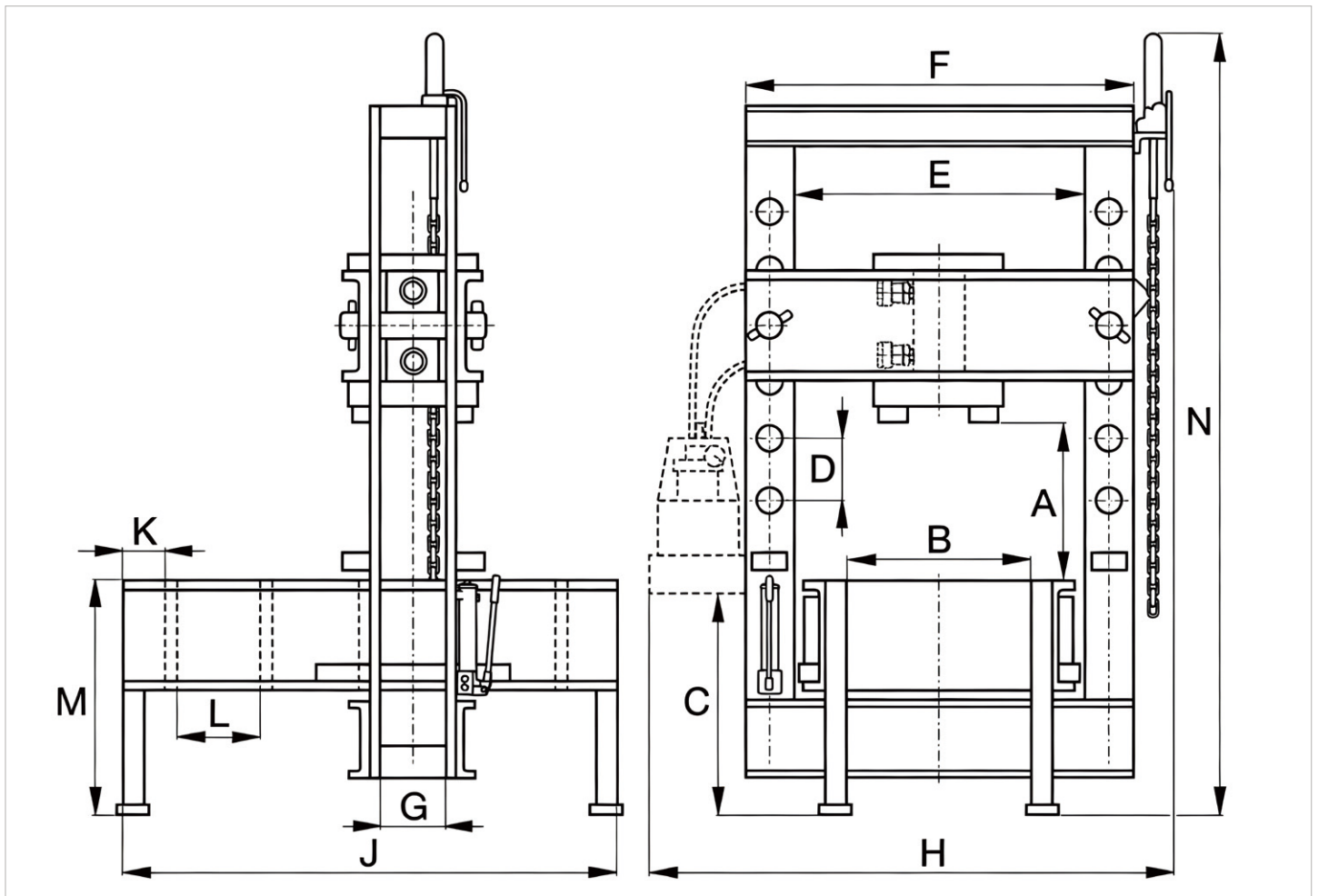
All press models include a pressure gauge and accessories, matched to the press working capacity.



200T Optional V-Blocks

V-blocks(A200R) are used for positioning complex components and are made of durable high-strength steel.

Press Capacity (ton)	Gauge Adaptor Model	Adaptor Model
50	HG100-60	FZ1638+NML0303
100	HG100-60	FZ1638+NML0303
200	HG100-60	FZ1638+NML0303



Roll-Frame Press Dimensions (mm)													Weight (KG)	Press Model Number
A (min.-max.)	B	C	D	F	G	H	J	K	L	M	N			
152-942	526	971	264	933	127	1420	1626	203	270	762	2870	917	IPR-5075	
159-1048	673	965	222	1143	146	1605	1676	203	270	813	3021	1767	IPR-10075	
279-1295	984	933	254	1626	232	2150	2197	203	381	915	3200	4186	IPR-20075	