

▼ HSM/HCS Single-Acting Low-Height Cylinders

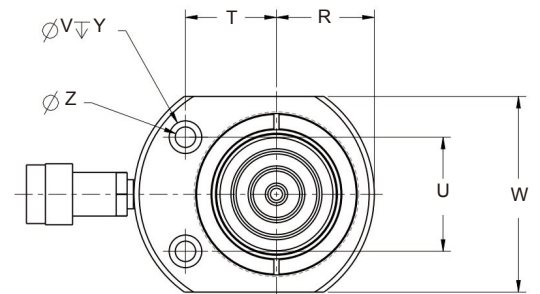
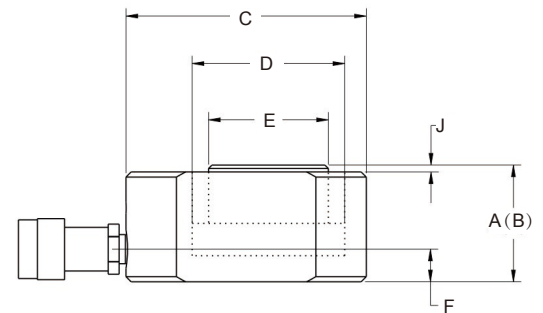


Rated Pressure: 70MPa

Rated Tonnage: 5-150ton

Stroke Range: 6-62mm

▼ HSM Outline Dimension:



HSM Series, Ultra-Thin Hydraulic Cylinders:

- Compact and flat design for applications where other hydraulic cylinders are not suitable.
- HSM750/1000/1500 models are equipped with handles for easy carrying.
- Mounting holes enable convenient fixing.
- All models are fitted with CEJN quick-threaded couplings and dust caps.
- All components undergo gas nitriding and post-oxidation processes to enhance hardness.
- No saddle is required on the end face of the grooved plunger.
- Single-acting, spring-retracted.

HCS Series, Low-Height Hydraulic Cylinders:

- Low-weight and compact design for narrow working spaces.
- Painted surface enhances corrosion resistance.
- Dust seals reduce contamination and extend the service life of the hydraulic cylinder.
- All models are fitted with CEJN quick-threaded couplings and dust caps.
- The threaded hole on the top of the grooved plunger can be used for installing inclined saddles.
- HCS-1002 model is equipped with a handle for easy carrying.
- All components undergo gas nitriding and post-oxidation processes to enhance hardness.
- Single-acting, spring-retracted.

RSM Cylinders Mounting Hole Diameter Dimensions

Model	Bolt Circle Diameter U(mm)	Hole Diameter Z (mm)	Counterbore Diameter V(mm)	Counterbore Length Y(mm)
HSM50	28.5	5.5	9.1	4.3
HSM100	36.6	7.1	10.7	7.9
HSM200	49.3	10	15.1	9.9
HSM300	52.3	10	15.9	11.2
HSM500	66.5	11	19	12.7
HSM750	76.2	13.5	20.6	14.2
HSM1000	76.2	13.5	20.6	14.2
HSM1500	117.3	13.5	20.6	14.2

Load Capacity ton (kN)	Model	Stroke (mm)	Effective Area of Cylinder (cm ²)	Hydraulic Oil Capacity (cm ³)
5(45)	HSM50	6	6.5	4
10(101)	HSM100	11	14.5	18
20 (201)	HSM200	11	28.7	32
30 (295)	HSM300	13	42.1	55
45 (435)	HSM500	16	62.1	99
75(718)	HSM750	16	102.6	164
90 (887)	HSM1000	16	126.7	203
150 (1386)	HSM1500	16	198.1	317
10(101)	HCS101	38	14.5	55
20 (201)	HCS201	45	28.7	129
30 (295)	HCS302	62	42.1	261
45 (435)	HCS502	60	62.1	373
90 (887)	HCS1002	57	126.7	722

▼ HCS Outline Dimension :

All components undergo surface treatment using gas nitriding and post-oxidation processes to provide superior anti-corrosion performance. High longevity and hardness ensure the wide applicability of hydraulic cylinders.

Dust seal, preventing external impurities from entering the interior of the cylinder and causing contamination or damage.

Stop ring for absorbing overload and preventing piston overtravel.

High-pressure seal to achieve zero internal leakage in the hydraulic system, reducing wear and extending service life.

Powerful spring for rapid return stroke.

The exhaust port expels air, preventing air resistance from causing jerky motion and noise, and ensuring stable operation of the hydraulic system.

The Swedish CEJN coupler and dust cap ensure safety throughout.

All components undergo surface treatment using gas nitriding and post-oxidation processes to provide superior anti performance. High longevity and hardness ensure the wide applicability of hydraulic cylinders.

Dust seal, preventing external impurities from entering the interior of the cylinder and causing contamination or damage.

Stop ring for absorbing overload and preventing piston overtravel.

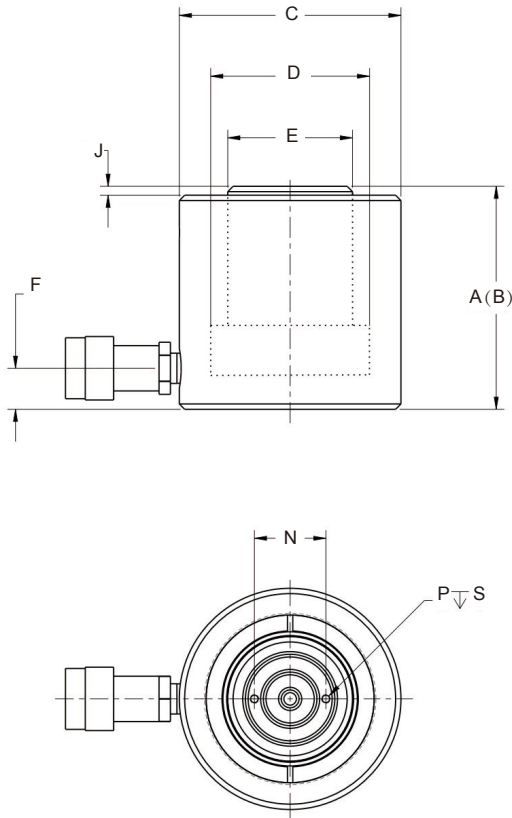
The exhaust port expels air, preventing air resistance from causing jerky motion and noise, and ensuring stable operation of the hydraulic system.

High-pressure seal to achieve zero internal leakage in the hydraulic system, reducing wear and extending service life.

Powerful spring for rapid return stroke.

The Swedish CEJN coupler and dust cap ensure safety throughout.

▼ HCS Outline Dimension :



	Collapsed Height A (mm)	Height B (mm)	Outer Diameter C (mm)	Inner Diameter D (mm)	Piston Rod Diameter E (mm)	Oil Inlet Height from Bottom F (mm)	Piston Protrusion Height J (mm)	Distance T (mm)	Distance R (mm)	Thread P (mm)	Thread Depth S (mm)	Thread Circle Diameter N (mm)	Weight (kg)	Model
	32	38	58X41	28.7	25.4	16	1	22X28.5	20	-	-	-	1.0	HSM50
	43	54	82X55	42.9	38.1	19	1	34X36.6	27	-	-	-	1.4	HSM100
	51	62	101X76	60.5	50.8	19	1	39X49.3	39	-	-	-	3.1	HSM200
	58	71	117X95	73.2	63.4	19	2	44X52.3	47	-	-	-	4.5	HSM300
	66	82	140X114	88.9	69.8	19	2	53X66.5	57	-	-	-	6.8	HSM500
	79	95	165X139	114.3	82.6	19	2	66X76.2	69	-	-	-	11.3	HSM750
	85	101	177X153	127	92.2	19	2	74X76.2	76	-	-	-	14.5	HSM1000
	100	116	215X190	158.8	114.3	23	2	82X117.3	95	-	-	-	26.3	HSM1500
	88	126	69	42.9	38.1	17	5	-	-	M4	8	26	2.7	HCS101
	98	143	92	60.5	50.8	17	3	-	-	M5	8	40	5.0	HCS201
	117	179	101	73.2	66.5	17	3	-	-	M5	8	40	6.8	HCS302
	122	182	124	88.9	69.8	23	2	-	-	M5	8	40	10.0	HCS502
	141	198	165	127	92.2	31	1	-	-	M8	10	55	20.7	HCS1002