

▼ HRH Double-Acting Hollow Plunger Cylinders



Rated Pressure: 70MPa

Rated Tonnage: 30 -145ton

Stroke Range: 38-258mm

Center Hole Dia: 33-79.2mm

- The overflow valve protects the oil cylinder from damage during overload
- The collar thread is easier to install
- Double-acting for quick return
- All models are equipped with GEJN quick connectors and dust caps.
- Dust rings reduce pollution and extend the service life of hydraulic cylinders
- All components adopt NAC surface treatment, gas nitriding and post-oxidation processes, providing better anti-corrosion performance and anti-eccentric load performance

HCH Steel Base Plate Mounting Holes (mm)			
Model	Bolt Circle U(mm)	Thread V(mm)	Thread Depth Y(mm)
HRH307	92.2	3/8" - 16 UNC	14
HRH3010	92.2	3/8" - 16 UNC	14
HRH603	130.3	1/2" - 13 UNC	14
HRH606	130.3	1/2" - 13 UNC	14
HRH6010	130.3	1/2" - 13 UNC	14
HRH1001	177.8	5/8" - 11 UNC	19
HRH1003	177.8	5/8" - 11 UNC	19
HRH1006	177.8	5/8" - 11 UNC	19
HRH10010	177.8	5/8" - 11 UNC	19
HRH1508	-	-	-
HCH1003	177.8	5/8" - 11 UNC	19

Capacity (ton)	Stroke (mm)	Model	Maximum load capacity (kN)		The effective area of the cylinder (cm ²)		Hydraulic oil capacity (cm ³)		Collapsed Height A (mm)	Extended Height B (mm)	Outer Diameter C (mm)	Inner Diameter D (mm)
			push	pull	push	pull	push	pull				
30	178	HRH307	326	213	46.6	30.4	829	541	330	508	114	88.9
	258	HRH3010	326	213	46.6	30.4	1202	784	431	689	114	88.9
60	89	HRH603	576	380	82.3	54.2	733	482	247	336	159	123.9
	166	HRH606	576	380	82.3	54.2	1366	900	323	489	159	123.9
	257	HRH6010	576	380	82.3	54.2	2115	1393	438	695	159	123.9
95	38	HRH1001	931	612	133	87.4	505	333	165	203	213	165.1
95	76	HRH1003	931	612	133	87.4	1011	666	254	330	213	165.1
	153	HRH1006	931	612	133	87.4	2035	1337	342	495	213	165.1
	257	HRH10010	931	612	133	87.4	3420	2246	460	717	212	165.1
145	203	HRH1508	1429	718	204.1	102.6	4144	2083	349	552	247	190.5

▼ HRH Performance Introduction:

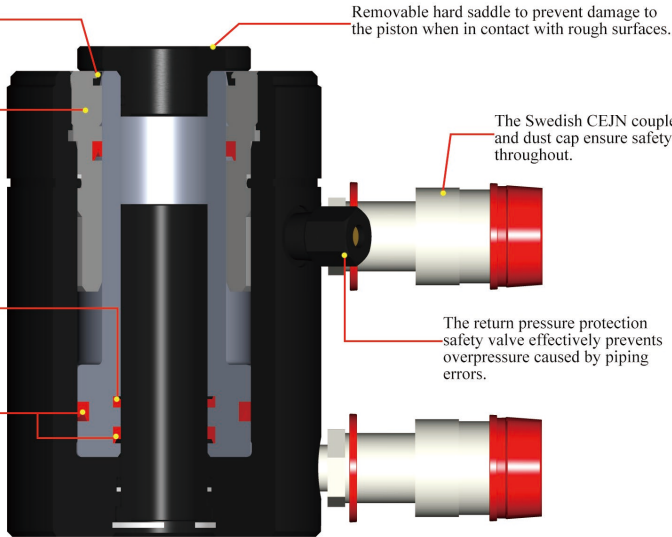
All components undergo surface treatment using gas nitriding and post-oxidation processes to provide superior anti-corrosion performance. High longevity and hardness ensure the wide applicability of hydraulic cylinders.

Dust seal, preventing external impurities from entering the interior of the cylinder and causing contamination or damage.

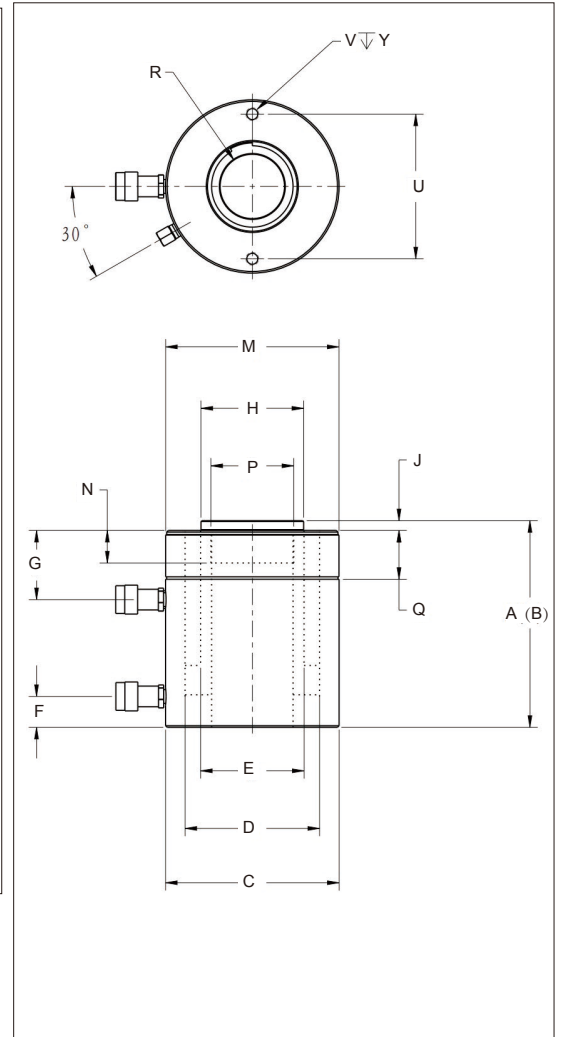
Stop ring for absorbing overload and preventing piston overtravel.

Dust seal, preventing external impurities from entering the interior of the cylinder and causing contamination or damage.

High-pressure seal to achieve zero internal leakage in the hydraulic system, reducing wear and extending service life.



▼ HRH Outline Dimensional:



Plunger Diameter E (mm)	Distance from Top End to Oil Return Port G (mm)	Saddle Diameter H (mm)	Saddle Protrusion Height J (mm)	Thread P	Plunger Thread Length N (mm)	Collar Thread M	Collar Thread Length Q (mm)	Center Hole Diameter R (mm)	Weight (kg)	Model
63.5	60	63	9	1 13/16"-16	35	4 1/2"-12	42	33.3	21	HRH307
63.5	60	63	9	1 13/16"-16	35	4 1/2"-12	42	33.3	27	HRH3010
91.9	66	91	12	2 3/4"-16	35	6 1/4"-12	48	53.8	28	HRH603
91.9	66	91	12	2 3/4"-16	35	6 1/4"-12	48	53.8	35	HRH606
91.9	66	91	12	2 3/4"-16	35	6 1/4"-12	48	53.8	45	HRH6010
127	44	126	12	4"-16	40	-	-	79.2	33	HRH1001
127	85	126	12	4"-16	40	8 3/8"-12	60	79.2	61	HRH1003
127	85	126	12	4"-16	40	8 3/8"-12	60	79.2	79	HRH1006
127	85	126	12	4"-16	40	8 3/8"-12	60	79.2	106	HRH10010
152.4	60	127	4	4 1/4"-12	40	-	-	79.2	111	HRH1508