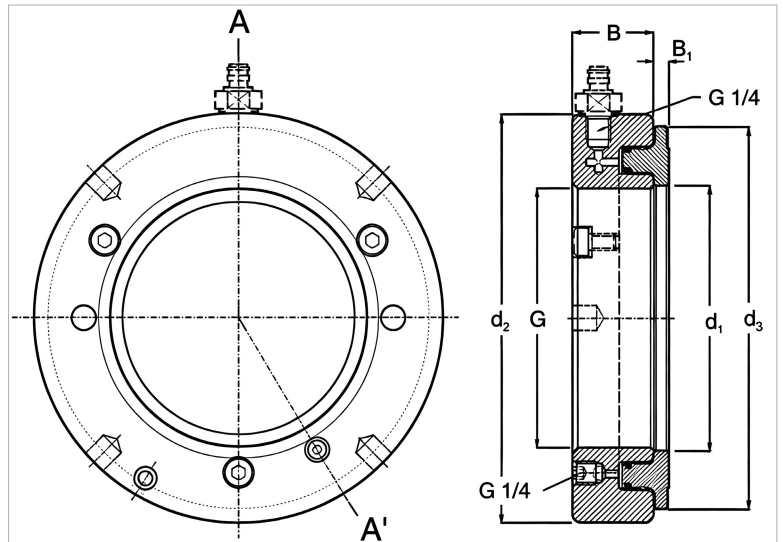


▼HMVC Mounting or Dismounting of Bearings



- Hydraulic nut for mounting or dismounting of bearings, with inch thread
- Facilitates easy and quick application of the high drive-up forces required for mounting bearings on tapered seatings.
- The hydraulic nut can also be used for dismounting bearings mounted on either adapter or withdrawal sleeves.
- Quick connection coupling can be fitted on the face or side of the nut
- A spare set of piston seals and maintenance kit is included
- Supplied with a quick connection coupling to fit the RIVERLACK hydraulic pumps
- Equipped with eyebolts, two tommy bars and four mating holes on their front face



▼HMVC Selection Sheet:

Model	Thread	Pitch diameter (IN)	Threads per IN	d1 (IN)	d2 (IN)	d3 (IN)	B (IN)	B1 (IN)	Stroke (IN)	piston Area (in ²)	Weight (lb)
HMVC10E	1 967	1 9309	18	2	4.1	4.5	1.5	0.16	0.2	4.5	6
HMVC11E	2 157	2 1209	18	2.2	4.3	4.7	1.5	0.16	0.2	4.9	6.1
HMVC12E	2 360	2 3239	18	2.4	4.5	4.9	1.5	0.2	0.2	5.1	6.2
HMVC13E	2 548	2 5119	18	2.6	4.8	5.1	1.5	0.2	0.2	5.6	6.6
HMVC14E	2 751	2 7149	18	2.8	5	5.3	1.5	0.2	0.2	5.9	7.1
HMVC15E	2 933	2 8789	12	3	5.2	5.5	1.5	0.2	0.2	6.2	7.5
HMVC 16E	3 137	3 0829	12	3.2	5.4	5.7	1.5	0.2	0.2	6.5	8.2
HMVC 17E	3 340	3 2859	12	3.4	5.6	5.9	1.5	0.2	0.2	6.8	8.3
HMVC18E	3 527	3 4729	12	3.6	5.8	6.1	1.5	0.2	0.2	7.3	8.8
HMVC19E	3 730	3 6759	12	3.8	6	6.4	1.5	0.2	0.2	7.6	9.5
HMVC 20E	3 918	3 8639	12	4	6.2	6.5	1.5	0.24	0.2	7.9	9.7

Model	Thread	Pitch diameter (IN)	Threads per IN	d1 (IN)	d2 (IN)	d3 (IN)	B (IN)	B1 (IN)	Stroke (IN)	piston Area (IN ²)	Weight (lb)
HMVC 21E	4 122	4 0679	12	4.2	6.4	6.8	1.5	0.24	0.2	8.2	10.3
HMVC 22E	4 325	4 2709	12	4.4	6.7	7	1.5	0.24	0.2	8.7	10.9
HMVC 24E	4 716	4 6619	12	4.7	7	7.4	1.5	0.24	0.2	9.3	11.6
HMVC 26E	5 106	5 0519	12	5.1	7.5	7.8	1.5	0.24	0.2	9.9	12.5
HMVC 28E	5 497	5 4429	12	5.5	7.9	8.2	1.5	0.28	0.2	10.5	13.2
HMVC 30E	5 888	5 8339	12	5.9	8.3	8.7	1.5	0.28	0.2	11.6	14.6
HMVC 32E	6 284	6 2028	8	6.3	8.8	9.1	1.6	0.28	0.24	13.3	16.8
HMVC 34E	6 659	6 5778	8	6.7	9.3	9.6	1.6	0.28	0.24	14.6	18.5
HMVC 36E	7 066	6 9848	8	7.1	9.7	10.1	1.6	0.28	0.24	16	20.2
HMVC 38E	7 472	7 3908	8	7.5	10.2	10.6	1.7	0.31	0.28	17.8	23.1
HMVC40E	7 847	7 7658	8	7.9	10.7	11.1	1.7	0.31	0.31	19.4	25.4
HMVC44E	8 628	8 5468	8	8.7	11.5	12	1.7	0.31	0.35	22.3	29.8
HMVC48E	9 442	9 3337	6	9.5	12.4	13	1.8	0.35	0.39	25.6	35.3
HMVC52E	10 192	10 0837	6	10.3	13.4	14	1.9	0.35	0.43	29.1	41.9
HMVC54E	10 604	10 4960	6	10.7	13.9	14.5	1.9	0.35	0.47	30.7	45.2
HMVC56E	11 004	10 8957	6	11.1	14.3	15	1.9	0.35	0.47	32.7	48.5
HMVC60E	11 785	11 6767	6	11.9	15.2	15.9	2	0.39	0.55	36.6	56.2
HMVC64E	12 562	12 4537	6	12.7	16.1	16.9	2.1	0.39	0.55	40.8	65
HMVC68E	13 339	13 2190	5	13.5	16.9	17.7	2.1	0.39	0.55	44	69.4
HMVC72E	14 170	14 0500	5	14.3	17.9	18.6	2.2	0.39	0.59	48.5	78.3
HMVC76E	14 957	14 8370	5	15	18.7	19.6	2.3	0.43	0.63	51.9	89.3
HMVC80E	15 745	15 6250	5	15.8	19.6	20.6	2.4	0.43	0.67	56.9	100
HMVC84E	16 532	16 4120	5	16.6	20.6	21.5	2.4	0.43	0.67	62	110
HMVC88E	17 319	17 1990	5	17.4	21.4	22.3	2.4	0.47	0.67	65.9	119
HMVC92E	18 107	17 9870	5	18.2	22.2	23.3	2.5	0.47	0.67	69.9	132
HMVC96E	18 894	18 7740	5	19	23.1	24.1	2.6	0.47	0.75	75.3	139
HMVC100E	19 682	19 5620	5	19.8	24	25	2.6	0.47	0.75	79.8	154
HMVC106E	20 867	20 7220	4	20.9	25.4	26.4	2.7	0.51	0.83	87.1	174
HMVC112E	22 048	21 9030	4	22.1	26.7	27.7	2.8	0.51	0.87	94.9	194
HMVC120E	23 623	23 4780	4	23.7	28.4	29.4	2.9	0.51	0.91	104.3	220
HMVC126E	24 804	24 6590	4	24.9	29.7	30.8	2.9	0.55	0.91	113	243
HMVC134E	26 379	26 2340	4	26.5	31.3	32.5	3	0.55	0.94	123.2	265
HMVC142E	27 961	27 7740	3	28	33.1	34.3	3.1	0.59	0.98	135.9	298
HMVC150E	29 536	29 3490	3	29.6	34.8	35.9	3.1	0.59	0.98	147.6	322
HMVC160E	31 504	31 3170	3	31.6	36.9	38	3.1	0.63	0.98	161	355
HMVC 170E	33 473	33 2860	3	33.5	39	40.2	3.3	0.63	1.02	177.6	399
HMVC180E	35 441	35 2540	3	35.5	41.1	42.3	3.4	0.67	1.18	192.4	452
HMVC190E	37 410	37 2230	3	37.5	43.2	44.3	3.4	0.67	1.18	210.3	481