

▼ HETW-C High Power Electro-Hydraulic Wrench Pumps



Maximum output pressure: 70MPa

Motor size: 2.2/4KW

Low pressure flow: 12L/Min

High pressure flow: 1.5-2.3L/Min

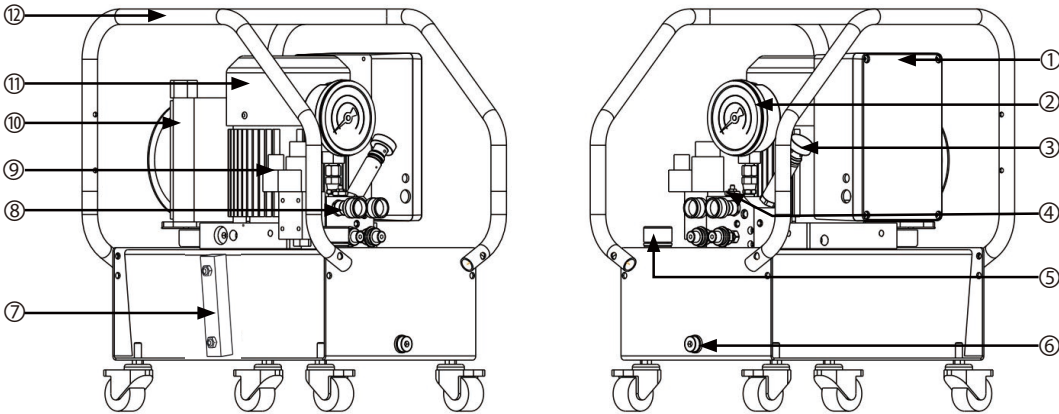
Reservoirs capacity: 10-40L

- Brushless motor, noise as low as 75dB
- Aluminum fuel tank, good cooling effect, light weight
- Lockable precision pressure regulator
- two-stage pump, High efficiency
- 6-meter weak current control handle
- Efficient air cooled radiator
- Visual Sight Glass
- Motor overload protector
- 3-meter plug wire
- Integrated protection frame, wire winding structure
- Pressure gauge non-rotating disassembly structure

▼ HETW-C Type Specification Sheet:

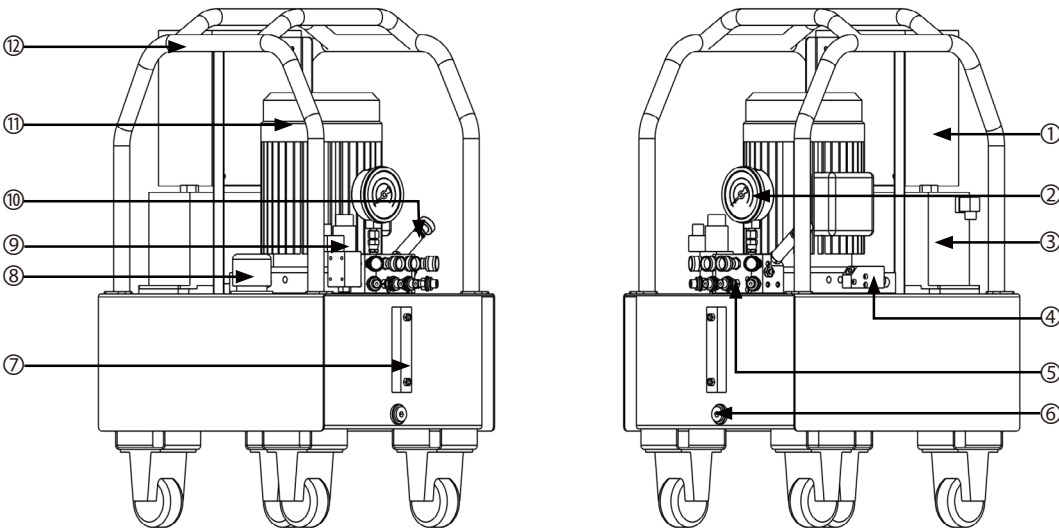
Model Number	Voltage	Motor size	Reservoirs capacity	Low Pressure Flow	High Pressure Flow	Weight Without Oil	Number of driver wrench
HE7TW10-C2	380/220VAC	2.2KW	10L	12L/Min	1.5L/Min	50KG	2
HE7TW10-C4	380/220VAC	2.2KW	10L	12L/Min	1.5L/Min	52KG	4
HE84TW40-C2	380/440/660VAC	4KW	40L	12L/Min	2.3L/Min	108KG	2
HE84TW40-C4	380/440/660VAC	4KW	40L	12L/Min	2.3L/Min	110KG	4

▼ HE7TW10 Product Illustration:



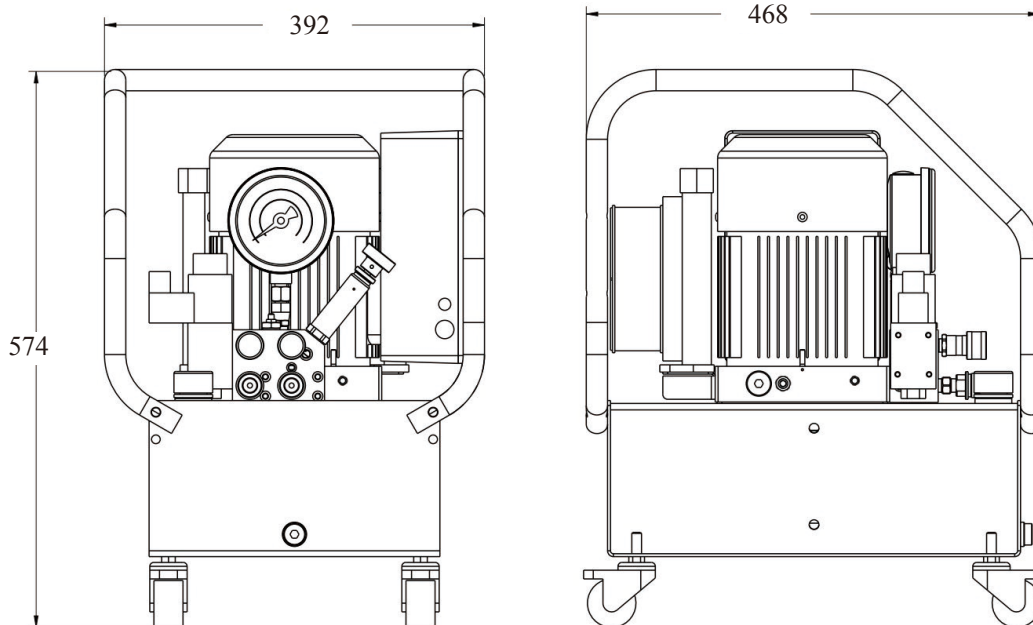
NO	Name
1	Electric Box
2	Gauge
3	Relief Valve
4	R Port Pressure Limiting Valve
5	Refueling And Exhaust Outlet
6	Oil Drain
7	Sight Glass
8	Couplers
9	Solenoid Directional Valve
10	Heat Exchanger
11	Motor
12	Protected Framework

▼ HE84TW40 Product Illustration:

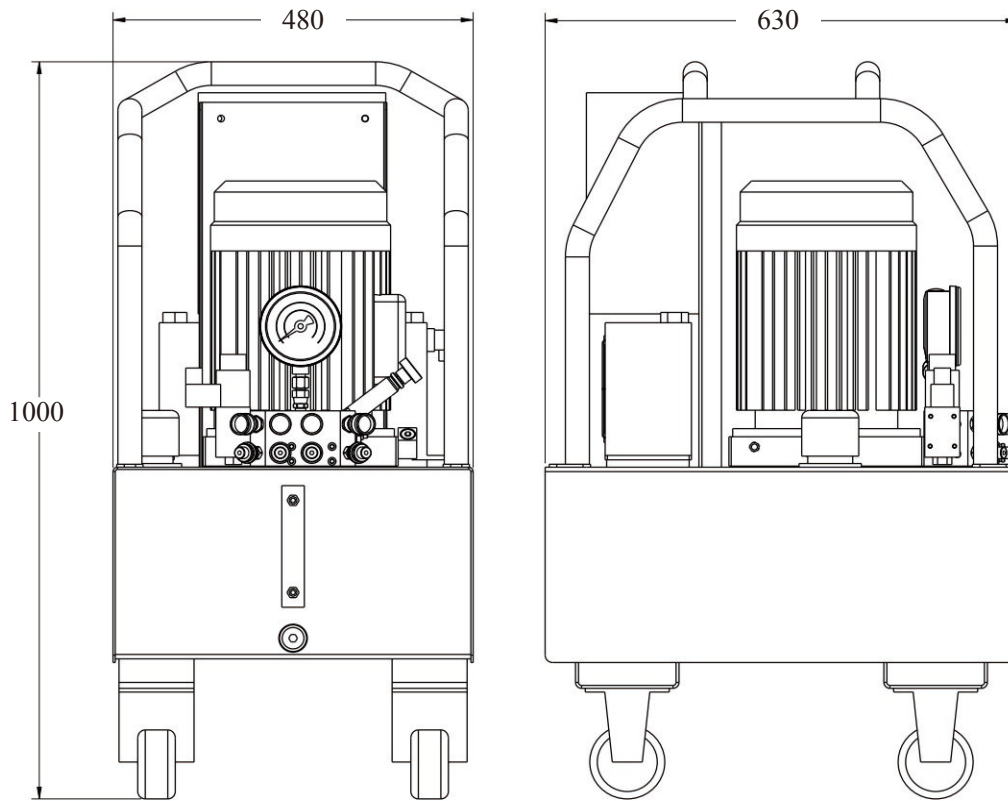


NO	Name
1	Electric Box
2	Gauge
3	Heat Exchanger
4	Pilot Relief Valve Block
5	Couplers
6	Oil Drain
7	Sight Glass
8	Refueling And Exhaust Outlet
9	Solenoid Directional Valve
10	Relief Valve
11	Motor
12	Protected Framework

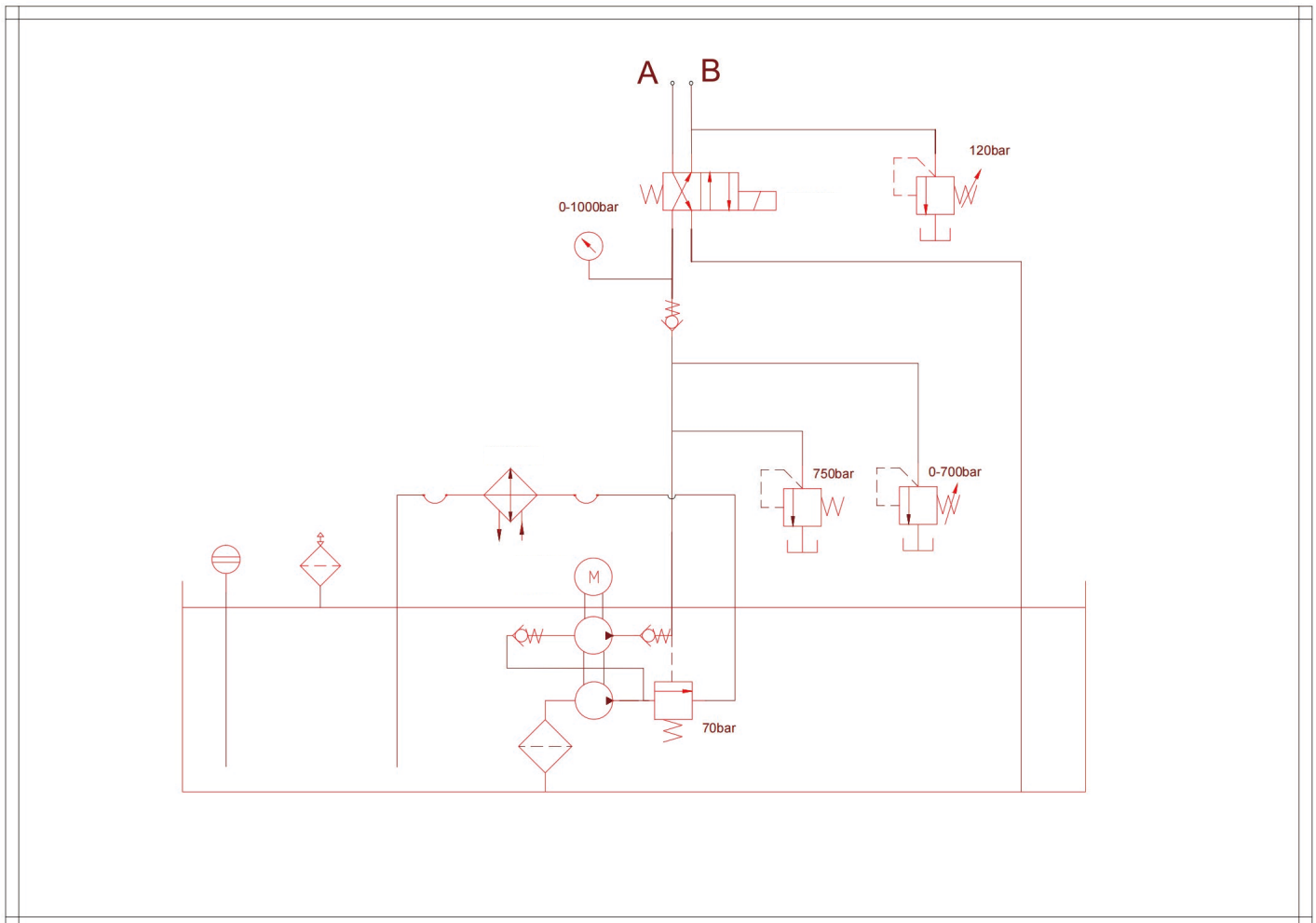
▼ HE7TW10 Outline Dimensional Drawing:



▼ HE84TW40 Outline Dimensional Drawing



▼ HETW-C Hydraulic Schematic Diagram:



▼ HETW-C 压力流量图:

