

## ▼ HCRL Double Acting Lock Nut Cylinders

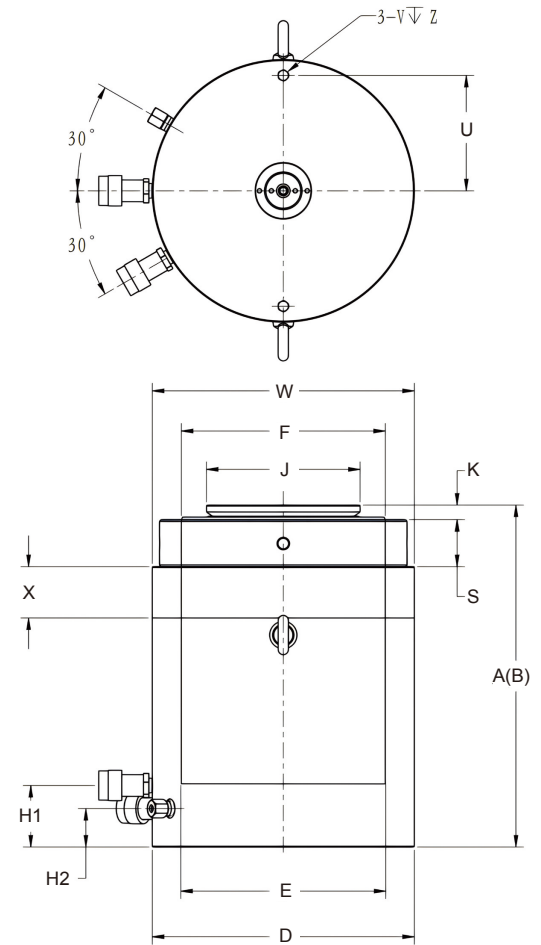


Rated Pressure: 70MPa

Rated Tonnage: 30 -500ton

Stroke Range: 50-300mm

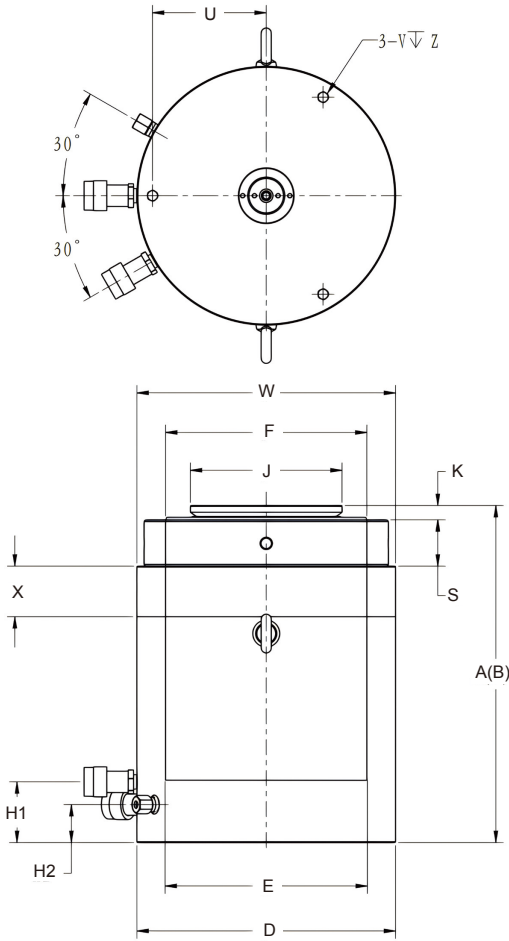
- Hydraulically controlled rapid retraction for efficient operation.
- Locking nut provides mechanical load holding to ensure a safe working environment.
- Capable of withstanding eccentric loads up to 10% of the maximum rated capacity.
- Integrated tilting saddle allows a maximum misalignment angle of 5°.
- Hardened gas nitriding surface treatment delivers exceptional resistance to eccentric loads, cyclic wear, and corrosion, with all-weather internal and external protection.
- Replaceable bearings surround the plunger, offering full-stroke internal and external support.
- Certified lifting lugs, base mounting holes, and collar threads are supplied as standard.
- Retaining ring (stop-ring) prevents plunger over-travel and blow-out.
- Low-friction locking nut is easy to operate, significantly saving time and effort.
- HCRL Series cylinders are available with capacities up to 1000 ton and strokes up to 600 mm upon request. For further details, please contact RIVERLAKE.



**HCRL50-150**

Specification	Bolt Pitch Circle Diameter U (mm)	Thread Size V	Minimum Thread Depth Z (mm)
HCRL50	105	M12 x 1.75	22
HCRL100	150	M12 x 1.75	22
HCRL150	185	M12 x 1.75	22
HCRL200	215	M12 x 1.75	22
HCRL250	245	M12 x 1.75	22
HCRL300	260	M16 x 2	25

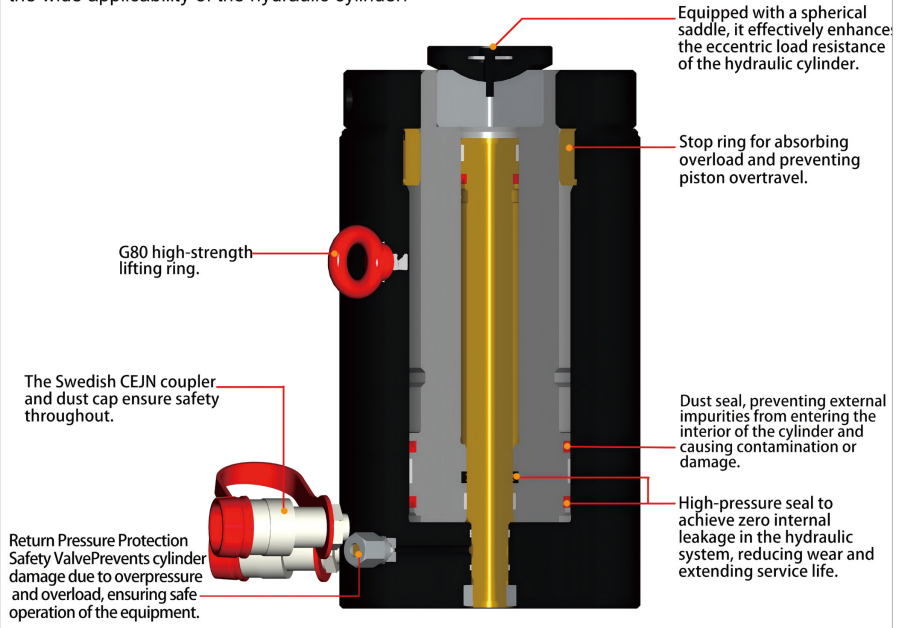
Outer Ring Thread		
Specification	Thread Size W	Thread Length X (mm)
HCRL50	M130 x 2	42
HCRL100	M185 x 2	57
HCRL150	M222 x 3	70
HCRL200	M260 x 3	79
HCRL250	M290 x 3	85
HCRL300	M315 x 3	94



**HCRL200-300**

## ► HCRL Cylinder Performance Introduction

All components are surface-treated by gas nitriding and post-oxidation process (except for the hard saddle), providing superior corrosion resistance. High durability and high hardness ensure the wide applicability of the hydraulic cylinder.



Capacity (ton)	Stroke (mm)	Model	Cylinder Effective Area (cm <sup>2</sup> )	Oil Capacity (cm <sup>3</sup> )		Collapsed Height A (mm)	Extended Height B (mm)	Outside Diameter D (mm)	Cylinder Bore Diameter E (mm)	Plunger Diameter (threaded) F (mm)	Base to Advance Port H1 (mm)	Base to Retract Port H2 (mm)	Saddle Diameter J (mm)	Saddle Protrusion K (mm)	Lock Nut Height S (mm)	Weight (kg)
				Push	Pull											
50	150	HCRL506	68.4	1025	86	310	460	130	100	Tr90×4	41	27	77	15	26	30
50	200	HCRL508	68.4	1367	115	377	577	130	100	Tr90×4	41	27	77	15	26	36
50	250	HCRL5010	68.4	1709	143	427	677	130	100	Tr90×4	41	27	77	15	26	40
50	300	HCRL5012	68.4	2051	172	477	777	130	100	Tr90×4	41	27	77	15	26	45
100	150	HCRL1006	141.4	2121	236	346	446	185	140	Tr120×6	50	36	77	15	36	64
100	200	HCRL1008	141.4	2827	314	421	621	185	140	Tr120×6	50	36	77	15	36	77
100	250	HCRL10010	141.4	3534	393	471	721	185	140	Tr120×6	50	36	77	15	36	85
100	300	HCRL10012	141.4	4241	471	521	821	185	140	Tr120×6	50	36	77	15	36	94
150	150	HCRL1506	214.4	3216	236	359	534	222	170	Tr150×6	46	32	126	13	45	97
150	200	HCRL1508	214.4	4288	314	434	609	222	170	Tr150×6	46	32	126	13	45	116
150	250	HCRL15010	214.4	5360	393	484	734	222	170	Tr150×6	46	32	126	13	45	129
150	300	HCRL15012	214.4	6432	471	534	834	222	170	Tr150×6	46	32	126	13	45	142
200	150	HCRL2006	285.9	4288	530	399	549	260	200	Tr170×6	71	49	126	13	50	145
200	200	HCRL2008	285.9	5718	707	469	669	260	200	Tr170×6	71	49	126	13	50	168
200	250	HCRL20010	285.9	7147	884	519	769	260	200	Tr170×6	71	49	126	13	50	184
200	300	HCRL20012	285.9	8577	1060	569	869	260	200	Tr170×6	71	49	126	13	50	200
250	150	HCRL2506	351.9	5278	530	416	561	290	220	Tr190×6	71	49	160	15	55	190
250	200	HCRL2508	351.9	7037	707	491	698	290	220	Tr190×6	71	49	160	15	55	224
250	250	HCRL25010	351.9	8796	884	541	791	290	220	Tr190×6	71	49	160	15	55	244
250	300	HCRL25012	351.9	10566	1060	591	891	290	220	Tr190×6	71	49	160	15	55	265
300	150	HCRL3006	424.1	6362	530	421	571	315	240	Tr210×6	71	49	160	15	55	230
300	200	HCRL3008	424.1	8462	707	496	696	315	240	Tr210×6	71	49	160	15	55	269
300	250	HCRL30010	424.1	10603	884	546	796	315	240	Tr210×6	71	49	160	15	55	294
300	300	HCRL30012	424.1	12723	1060	596	896	315	240	Tr210×6	71	49	160	15	55	319