

▼ HCH Single-Acting Hollow Plunger Cylinders

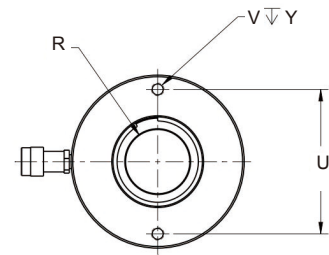


Rated Pressure: 70MPa

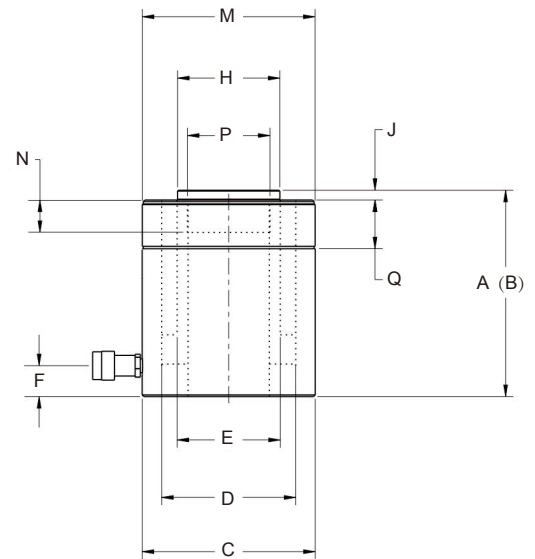
Rated Tonnage: 12 -95ton

Stroke Range: 8-155mm

Center Hole Dia: 17.3-79.0mm



- The hollow plunger design can be used for both tension and thrust
- Single-acting, spring-return
- Outer ring threads facilitate easy installation
- NAC surface treatment (adopting gas nitriding and post-oxidation processes) provides superior corrosion resistance and anti-eccentric load performance
- High-tonnage cylinders are equipped with certified G80 high-strength lifting eyes
- All models are equipped with base mounting holes
- High-grade polyurethane seals are adopted, featuring excellent sealing performance, wear resistance, and a long service life
- The hollow piston is equipped with threaded holes, allowing the configuration of non-standard saddles to adapt to more working conditions
- Dust seals reduce contamination and prolong the service life of the hydraulic cylinder
- All-weather protection from the inside outside
- Equipped with a breather port for smooth extension and fast retraction



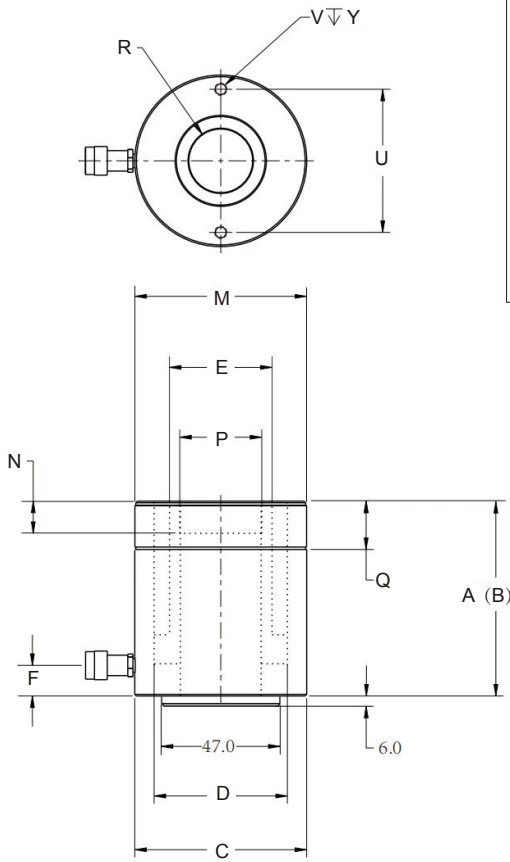
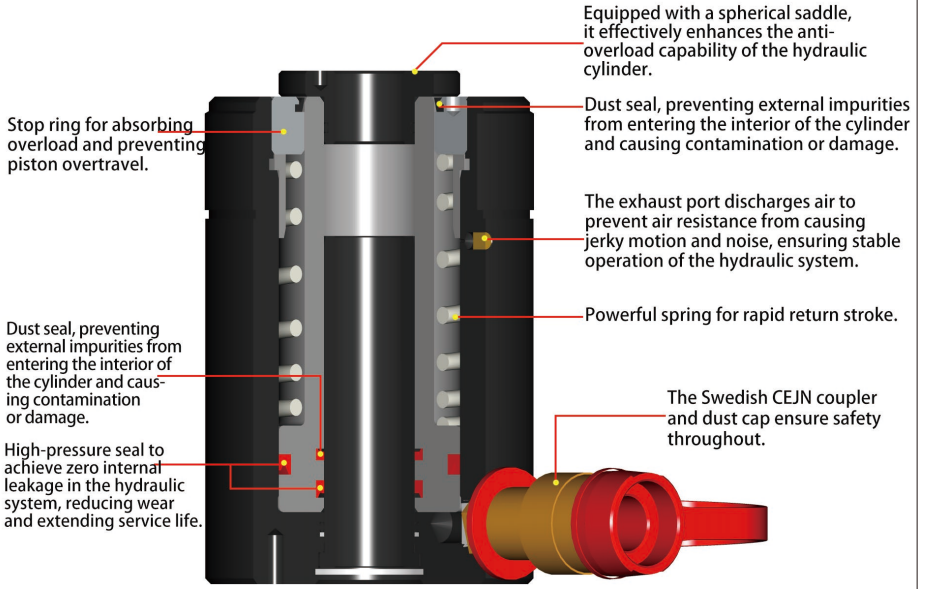
▼ HCH Type Specification Sheet:

HCH-120-HCH-123

Capacity (ton)	Stroke (mm)	Model Number	Effective Area (cm ²)	Oil Capacity (cm ³)	Collapsed Height A (mm)	Extended Height B (mm)	Outside Diameter C (mm)	Bore Diameter D (mm)	Plunger Diameter E (mm)	Bottom to Advance Port F (mm)
12 (125)	8	HCH120	17.9	14	55	63	70	54.1	35.1	9
	42	HCH121	17.9	75	120	162	70	54.1	35.1	25
	42	HCH1211	17.9	75	120	162	70	54.1	35.1	25
	76	HCH123	17.9	136	184	260	70	54.1	35.1	25
20 (215)	49	HCH202	30.7	150	162	211	98.5	73.1	54.1	19
	155	HCH206	30.7	476	306	461	98.5	73.1	54.1	25
30 (326)	64	HCH302	46.6	298	178	242	114	88.9	63.5	21
	155	HCH306	46.6	722	330	485	114	88.9	63.5	25
60(576)	76	HCH603	82.3	626	247	323	159	123.9	91.9	31
	153	HCH606	82.3	1259	323	476	159	123.9	91.9	31
95(931)	76	HCH1003	133	1011	254	330	213	165.1	127	38

▼ HCH Performance Introduction:

All components undergo surface treatment using gas nitriding and post-oxidation processes to provide superior anti-corrosion performance. High longevity and hardness ensure the wide applicability of hydraulic cylinders.



HCH-202-HCH-1003

HCH Steel Base Plate Mounting Holes (mm)			
Model	Bolt Circle U(mm)	Thread V(mm)	Thread Depth Y(mm)
HCH120	50.8	5/16" - 18 UNC	9
HCH121	-	-	-
HCH1211	-	-	-
HCH123	50.8	5/16" - 18 UNC	12.7
HCH202	82.6	3/8" - 16 UNC	9.4
HCH206	82.6	3/8" - 16 UNC	9.4
HCH302	92.2	3/8" - 16 UNC	14
HCH306	92.2	3/8" - 16 UNC	14
HCH603	130.3	1/2" - 13 UNC	14
HCH606	130.3	1/2" - 13 UNC	14
HCH1003	177.8	5/8" - 11 UNC	19

Saddle Diameter H (mm)	Saddle Protrusion Height J (mm)	Plunger Internal Thread P	Plunger Thread Length N (mm)	Collar Thread Specification M	Collar Thread Depth Q (mm)	Central Hole Diameter R (mm)	Weight (kg)	Model
-	-	3/4"-16 UN	16	2 3/4"-16	30	17.3	1.5	HCH120
-	-	-	-	2 3/4"-16	30	19.5	2.8	HCH121
-	-	3/4"-16 UN	18	2 3/4"-16	30	17.3	2.8	HCH1211
-	-	-	-	2 3/4"-16	30	19.5	4.4	HCH123
54	9.7	1 9/16"-16 UN	30	3 7/8"-12	38	26.9	7.7	HCH202
54	9.7	1 9/16"-16 UN	30	3 7/8"-12	38	26.9	14.1	HCH206
63	9	1 13/16"-16 UN	30	4 1/2"-12	42	33.3	10.9	HCH302
63	9	1 13/16"-16 UN	35	4 1/2"-12	42	33.3	21.8	HCH306
91	12	2 3/4"-16 UN	35	6 1/4"-12	48	53.8	28.1	HCH603
91	12	2 3/4"-16 UN	35	6 1/4"-12	48	53.8	35.4	HCH606
126	12	4"-16 UN	40	8 3/8"-12	60	79	63	HCH1003