

▼ HC4 Portable Electric Hydraulic Pumps



HC4 portable electric hydraulic pumps

Maximum output pressure: 70MPa

Motor size: 1.1KW

Low pressure flow: 6L/Min

High pressure flow: 0.7L/Min

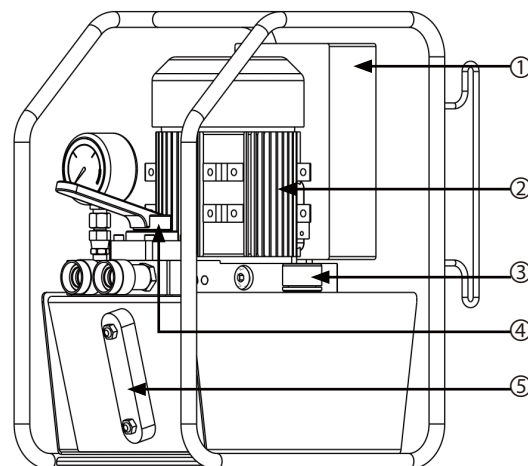
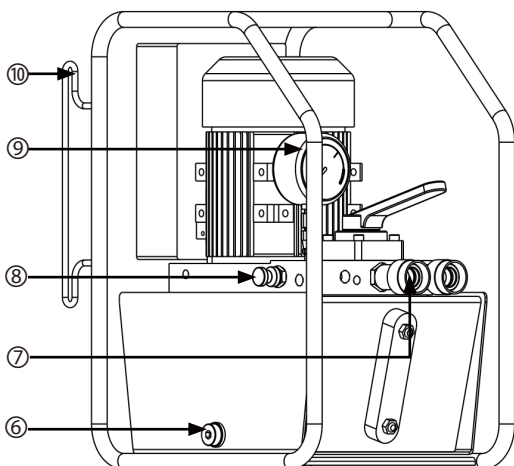
Reservoirs capacity: 7L

- Dual pump, high efficiency.
- Built-in safety valve, external adjustable relief valve.
- Dual action manual reversing valve.
- Equipped with P-port pressure gauge.
- Fully protected frame, equipped with cable collector.
- Standard 5-meter weak wire handle.
- Equipped with motor thermal overload protector.

▼ HC4 Type specification sheet:

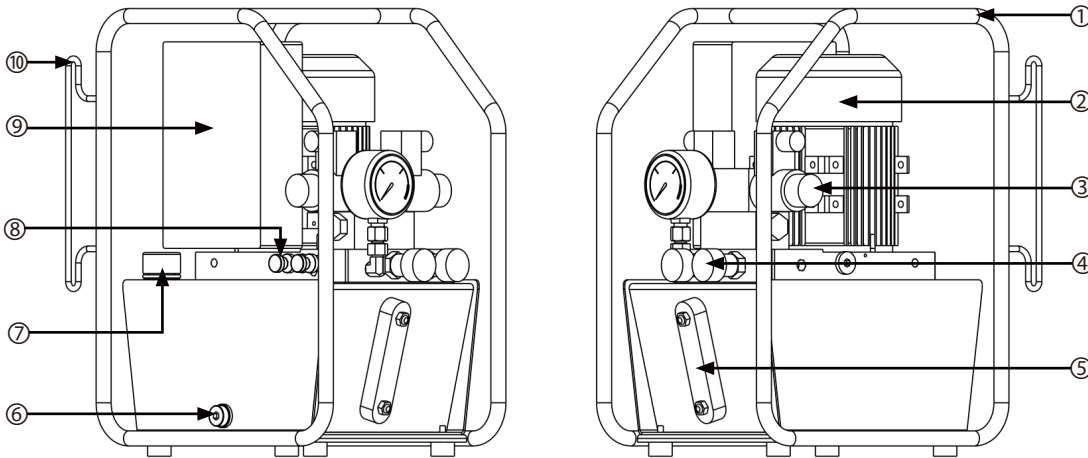
Model number	Voltage	Motor size	Low pressure flow	High pressure flow	Control valve function	Number of Oil Drains	Weight without oil
HC4007MV43R	230VAC	1.1KW	6L/Min	0.7L/Min	Manual directional valve	2	27KG
HC4007MV43R-115/60	115VAC	1.1KW	6L/Min	0.7L/Min	Manual directional valve	2	27KG
HC4007EVL43R	230VAC	1.1KW	6L/Min	0.7L/Min	Solenoid directional valve with liquid Pressure lock	2	27KG
HC4007EVL43R-115/60	115VAC	1.1KW	6L/Min	0.7L/Min	Solenoid directional valve with liquid Pressure lock	2	27KG

▼ HC4MV43 Product illustration:



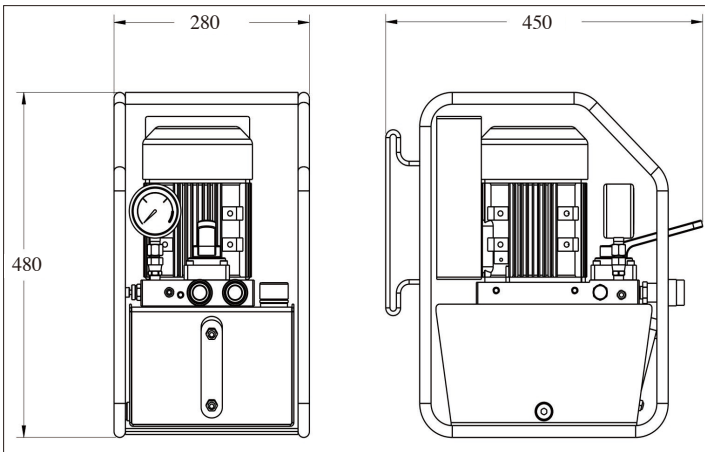
NO	Name
1	Electric box
2	Motor
3	Refueling and exhaust outlet
4	Manual directional valve
5	Sight Glass
6	Oil Drain
7	Couplers
8	Relief Valve
9	Gauge
10	Cable Collector

▼ HC4EVL43 Product illustration :

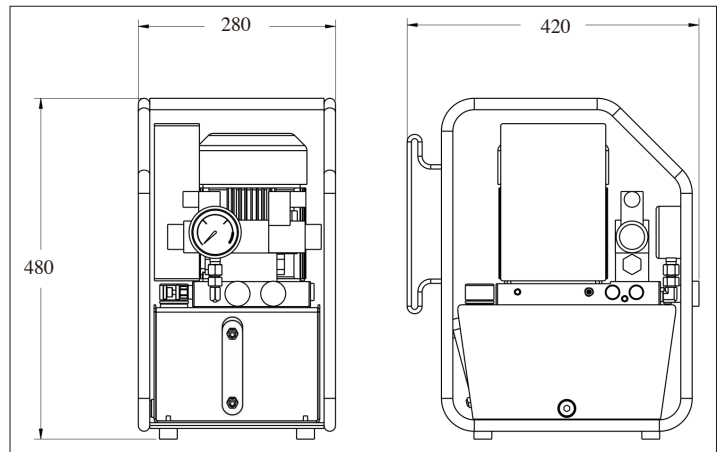


NO	Name
1	Protected Framework
2	Motor
3	Solenoid Directional Valve
4	Couplers
5	Sight Glass
6	Oil Drain
7	Refueling and exhaust outlet
8	Relief Valve
9	Electric box
10	Cable Collector

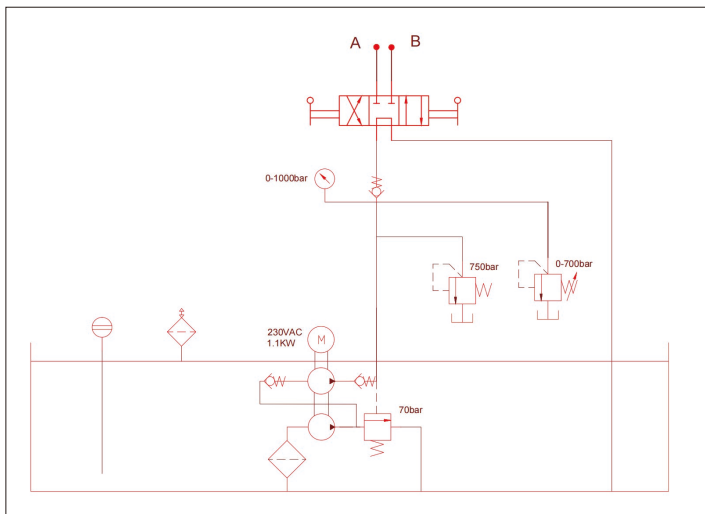
▼ HC4MV43 Outline Dimensional Drawing :



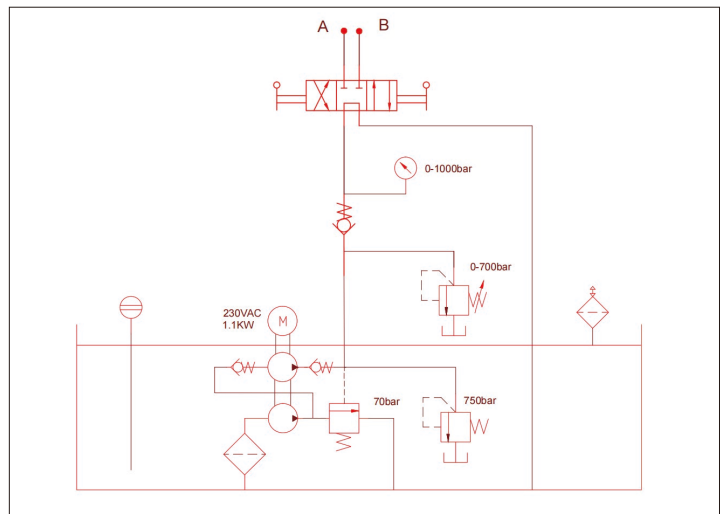
▼ HC4EVL43 Outline Dimensional Drawing :



▼ HC4MV43 Hydraulic Schematic Diagram :



▼ HC4EVL43 Hydraulic Schematic Diagram :



▼ HC4 Flow-Pressure Curve:

