

## ▼ H-Type Hydraulic Press



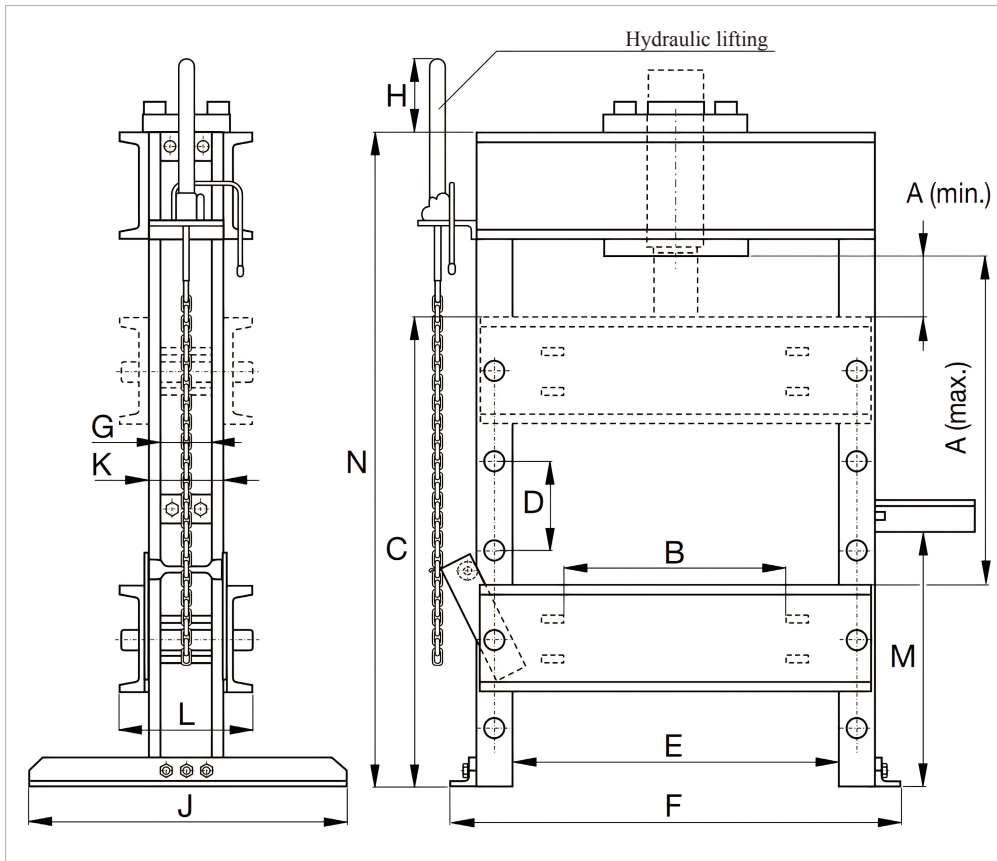
Capacity: 10-200ton

Max. Working Pressure: 70MPa

- Utilizes a high-quality welded frame, ensuring excellent structural strength and long-lasting durability of the press; equipped with a hydraulic lifting platform for easy adjustment of the vertical platen spacing (manual adjustment for 10-12 ton models).
- Powerful performance and wide range of applications; maximum opening spacing × width up to 1384 × 1219.
- Employs a precision rolling design; the hydraulic cylinder can move left and right and lock reliably.
- All models in the specification sheet come standard with a compatible pump, hydraulic cylinder, hydraulic hoses, and pressure gauge; complete and ready to use upon installation.

Working Capacity (ton)	Press Model	Pump Model	Cylinder Model	Dimensions (mm)			
				A (Max)	A (Min)	B	C
10	IPE-1215	HC3005MV32	RC-1010	1016	62	-	1187
10	IPH-1240	P392	RC-1010	1016	62	-	1187
10	IPH-1234	P84	RR-1010	1016	62	-	1187
10	IPA-1244	HC3005EVL43	RR-1010	1016	62	-	1187
25	IPE-2505	HC3005MV32	RC-256	1384	177	-	1447
25	IPE-2510	HC3005MV32	RC-2514	1384	177	-	1447
25	IPH-2531	P80	RC-2514	1384	177	-	1447
30	IPE-3060	HC3005EVL43	RR-3014	1384	177	-	1447
30	IPH-3080	P84	RR-3014	1384	177	-	1447
50	IPE-5010	HE4010EVL33R	RC-5013	1233	179	476	1371
50	IPH-5030	P462	RC-506	1233	179	476	1371
50	IPH-5031	P80	RC-506	1233	179	476	1371
50	IPE-5005	HC3005MV32	RC-506	1233	179	476	1371
50	IPA-5073	HA5007MV43	RR-5013	1233	179	476	1371
50	IPE-5060	HE4010EVL43R	RR-5013	1233	179	476	1371
50	IPH-5080	P464	RR-5013	1233	179	476	1371
100	IPA-10023	HA5007MV32	RC-10010	1079	177	508	1295
100	IPE-10010	HE4010EVL33R	RC-10010	1079	177	508	1295
100	IPH-10030	P462	RC-10010	1079	177	508	1295
100	IPE-10060	HE4010EVL43R	RR-10013	1079	177	508	1295
100	IPH-10080	P464	RR-1006	1079	177	508	1295
150	IPE-15065	HE5020EVL43R	RR-15013	1231	317	711	1384
200	IPE-20065	HE5020EVL43R	RR-20013	1231	317	711	1384

## ▼ H-Type Press Series Press Outline Dimensions



**Cylinder mounting bracket**  
Used for mounting hydraulic cylinders into the press, allowing for left and right adjustment of the hydraulic cylinder position.



**Hydraulic Lifting Device**  
Can be used on non-RIVERLAKE brand presses: for retrofitting existing presses. Standard configuration on several H-type presses.

Dimensions (mm)										Press Model	Weight (kg)
D	E	F	G	H	J	K	L	M	N		
127	473	632	-	-	755	108	189	889	1320	IPE-1215	135
127	473	632	-	-	755	108	189	889	1320	IPH-1240	71
127	473	632	-	-	755	108	189	889	1320	IPH-1234	85
127	473	632	-	-	755	108	189	889	1320	IPA-1244	73
301	736	1028	101	336	762	133	271	673	1930	IPE-2505	274
301	736	1028	101	336	762	133	271	673	1930	IPE-2510	313
301	736	1028	101	336	762	133	271	673	1930	IPH-2531	281
301	736	1028	101	336	762	133	271	673	1930	IPE-3060	325
301	736	1028	101	336	762	133	271	673	1930	IPH-3080	301
263	730	1085	127	222	914	184	333	781	1930	IPE-5010	495
263	730	1085	127	222	914	184	333	781	1930	IPH-5030	439
263	730	1085	127	222	914	184	333	781	1930	IPH-5031	420
263	730	1085	127	222	914	184	333	781	1930	IPE-5005	421
263	730	1085	127	222	914	184	333	781	1930	IPA-5073	479
263	730	1085	127	222	914	184	333	781	1930	IPE-5060	499
263	730	1085	127	222	914	184	333	781	1930	IPH-5080	455
296	889	1295	171	222	914	222	395	841	1930	IPA-10023	770
296	889	1295	171	222	914	222	395	841	1930	IPE-10010	776
296	889	1295	171	222	914	222	395	841	1930	IPH-10030	751
296	889	1295	171	222	914	222	395	841	1930	IPE-10060	816
296	889	1295	171	222	914	222	395	841	1930	IPH-10080	755
254	1219	1706	231	333	1117	333	555	1212	2286	IPE-15065	1794
254	1219	1706	231	333	1117	333	555	1212	2286	IPE-20065	1794