

▼ GT-Series Topside Tensioners



Max. Force: 224 - 3958kN

Stroke: 10mm

Max. working pressure: 150MPa

- Seven load cells available in sizes from M16 to M105 (or 5/8 to 4 inches)
- Twin ports allow rapid connection of multiple tools
- One bridge size per load cell size – no additional options needed
- Detachable and rotatable bridge makes tool positioning easier
- Full bridge window provides better access to the socket
- Captive socket eliminates the risk of falling objects
- Piston stroke indicator included
- Black corrosion-resistant surface treatment
- Anti-slip grip for safer handling
- Universal and multi-purpose tool design

Ordering Examples

To provide maximum flexibility Load Cells are ordered separately from Adaptor and Bridge Kits.

Example, order a complete tensioner
For M39 x 4 threaded bolt order:

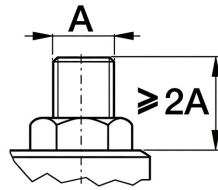
1 x Load Cell with tommy bar:

GT3-LCB

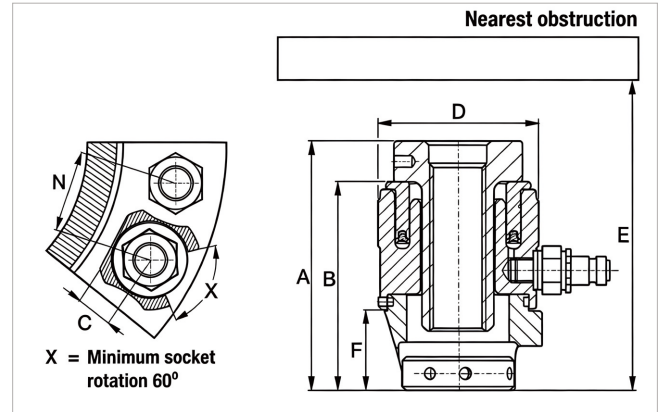
1 x Adaptor and Bridge Kit:

GT3PM-NRS03940

Load Cell Model Number	Thread Size	Adaptor and Bridge Kit Model Number	Cylinder Effective Area (mm ²)	Maximum Load Capacity (kN)	Dimensions(mm)							Load Cell Weight (kg)	Adaptor and Bridge Kit Weight(kg)
					A	B	C	D	E	F	N		
GT1-LCB	M16 x 2	GT1PM-NRS01620	1495.4	224.3	135	113	27	86	243	44	57	3	1.6
	M18 x 2.5	GT1PM-NRS01825	1495.4	224.3	135	113	27	86	243	44	58	3	1.5
	M20 x 2.5	GT1PM-NRS02025	1495.4	224.3	135	113	27	86	243	44	59	3	1.4
	M24 x 3	GT1PM-NRS02430	1495.4	224.3	135	113	27	86	243	44	61	3	1.3
	M27 x 3	GT1PM-NRS02730	1495.4	224.3	135	113	27	86	243	44	64	3	1.2
	M30 x 3.5	GT1PM-NRS03035	1495.4	224.3	135	113	27	86	243	44	66	3	1
	5/8" - 11 UN	GT1P-NRS0625U11	1495.4	224.3	135	113	27	86	243	44	57	3	1.6
	3/4" - 10 UN	GT1P-NRS0750U10	1495.4	224.3	135	113	27	86	243	44	59	3	1.4
	7/8" - 9 UN	GT1P-NRS0875U09	1495.4	224.3	135	113	27	86	243	44	62	3	1.3
	1" - 8 UN	GT1P-NRS1000U08	1495.4	224.3	135	113	27	86	243	44	64	3	1.2
1 1/8" - 8 UN	GT1P-NRS1125U08	1495.4	224.3	135	113	27	86	243	44	66	3	1	
GT2-LCB	M30 x 3.5	GT2PM-NRS03035	2677.2	401.5	136	111	35	107	226	41	75	4.1	2.6
	M33 x 3.5	GT2PM-NRS03335	2677.2	401.5	136	111	35	107	226	41	76	4.1	2.4
	M36 x 4	GT2PM-NRS03640	2677.2	401.5	136	111	35	107	226	41	79	4.1	2.2
	M39 x 4	GT2PM-NRS03940	2677.2	401.5	136	111	35	107	226	41	82	4.1	1.9
	1 1/8" - 8 UN	GT2P-NRS1125U08	2677.2	401.5	136	111	35	107	226	41	74	4.1	2.6
	1 1/4" - 8 UN	GT2P-NRS1250U08	2677.2	401.5	136	111	35	107	226	41	76	4.1	2.4
	1 3/8" - 8 UN	GT2P-NRS1375U08	2677.2	401.5	136	111	35	107	226	41	79	4.1	2.2
	1 1/2" - 8 UN	GT2P-NRS1500U08	2677.2	401.5	136	111	35	107	226	41	82	4.1	2



Minimum Stud Protrusion



▼ GT-Series Topside Tensioners Selection Chart

Load Cell Model Number	Thread Size	Adaptor and Bridge Kit Model Number	Cylinder Effective Area (mm ²)	Maximum Load Capacity (kN)	Dimensions(mm)							Load Cell Weight (kg)	Adaptor and Bridge Kit Weight(kg)
					A	B	C	D	E	F	N		
GT3-LCB	M39 × 4	GT3PM-NRS03940	5127.1	768.9	160	126	46	138	256	56	96	7	5.7
	M42 × 4.5	GT3PM-NRS04245	5127.1	768.9	160	126	46	138	256	56	98	7	5.4
	M45 × 4.5	GT3PM-NRS04545	5127.1	768.9	160	126	46	138	256	56	101	7	5
	M48 × 5	GT3PM-NRS04850	5127.1	768.9	160	126	46	138	256	56	104	7	4.7
	M52 × 5	GT3PM-NRS05250	5127.1	768.9	160	126	46	138	256	56	107	7	4.2
	1½"- 8UN	GT3P-NRS1500U08	5127.1	768.9	160	126	46	138	256	56	95	7	5.7
	1¾"- 8UN	GT3P-NRS1625U08	5127.1	768.9	160	126	46	138	256	56	98	7	5.3
	1¾"- 8UN	GT3P-NRS1750U08	5127.1	768.9	160	126	46	138	256	56	101	7	5
	1¾"- 8UN	GT3P-NRS1875U08	5127.1	768.9	160	126	46	138	256	56	104	7	4.6
2"- 8UN	GT3P-NRS2000U08	5127.1	768.9	160	126	46	138	256	56	106	7	4.2	
GT4-LCB	M52 × 5	GT4PM-NRS05250	9782.1	1466.9	180	141	62	174	281	71	121	12.2	10.7
	M56 × 5.5	GT4PM-NRS05655	9782.1	1466.9	180	141	62	174	281	71	124	12.2	10.1
	M60 × 5.5	GT4PM-NRS06055	9782.1	1466.9	180	141	62	174	281	71	127	12.2	9.4
	M64 × 6	GT4PM-NRS06460	9782.1	1466.9	180	141	62	174	281	71	129	12.2	8.8
	M68 × 6	GT4PM-NRS06860	9782.1	1466.9	180	141	62	174	281	71	132	12.2	8.1
	2"- 8UN	GT4P-NRS2000U08	9782.1	1466.9	180	141	62	174	281	71	120	12.2	10.7
	2¼"- 8UN	GT4P-NRS2250U08	9782.1	1466.9	180	141	62	174	281	71	126	12.2	9.7
	2½"- 8UN	GT4P-NRS2500U08	9782.1	1466.9	180	141	62	174	281	71	132	12.2	8.5
GT5-LCB	M68 × 6	GT5PM-NRS06860	15079.7	2261.4	202	157	78	210	302	86	148	18.7	17.3
	M72 × 6	GT5PM-NRS07260	15079.7	2261.4	202	157	78	210	302	86	149	18.7	16.4
	M76 × 6	GT5PM-NRS07660	15079.7	2261.4	202	157	78	210	302	86	152	18.7	15.5
	M80 × 6	GT5PM-NRS08060	15079.7	2261.4	202	157	78	210	302	86	155	18.7	14.6
	2½"- 8UN	GT5P-NRS2500U08	15079.7	2261.4	202	157	78	210	302	86	148	18.7	17.8
	2¾"- 8UN	GT5P-NRS2750U08	15079.7	2261.4	202	157	78	210	302	86	153	18.7	16.3
	3"- 8UN	GT5P-NRS3000U08	15079.7	2261.4	202	157	78	210	302	86	158	18.7	14.8
	3¼"- 8UN	GT5P-NRS3250U08	15079.7	2261.4	202	157	78	210	302	86	161	18.7	13.1
GT6-LCB	M80 × 6	GT6PM-NRS08060	18972.1	2845.1	219	173	82	240	323	95	167	27.8	22.3
	M85 × 6	GT6PM-NRS08560	18972.1	2845.1	219	173	82	240	323	95	170	27.8	21
	M90 × 6	GT6PM-NRS09060	18972.1	2845.1	219	173	82	240	323	95	175	27.8	19.4
	M95 × 6	GT6PM-NRS09560	18972.1	2845.1	219	173	82	240	323	95	179	27.8	18
	3¼"- 8UN	GT6P-NRS3250U08	18972.1	2845.1	219	173	82	240	323	95	173	27.8	20.7
	3½"- 8UN	GT6P-NRS3500U08	18972.1	2845.1	219	173	82	240	323	95	181	27.8	18.8
	3¾"- 8UN	GT6P-NRS3750U08	18972.1	2845.1	219	173	82	240	323	95	188	27.8	16.8
GT7-LCB	M100 × 6	GT7PM-NRS10060	26389.4	3958.4	243	182	89	277	332	110	196	38.2	28.5
	M105 × 6	GT7PM-NRS10560	26389.4	3958.4	243	182	89	277	332	110	199	38.2	27.3
	4"- 8UN	GT7P-NRS4000U08	26389.4	3958.4	243	182	89	277	332	110	204	38.2	27.3

*Tommy Bar is included with Load Cell