

▼ EPU Heavy-Duty Electric Ultra-High Pressure Pumps



Motor size: 4KW

Low pressure flow: 4.8L/Min

High pressure flow: 0.6-1.2L/Min

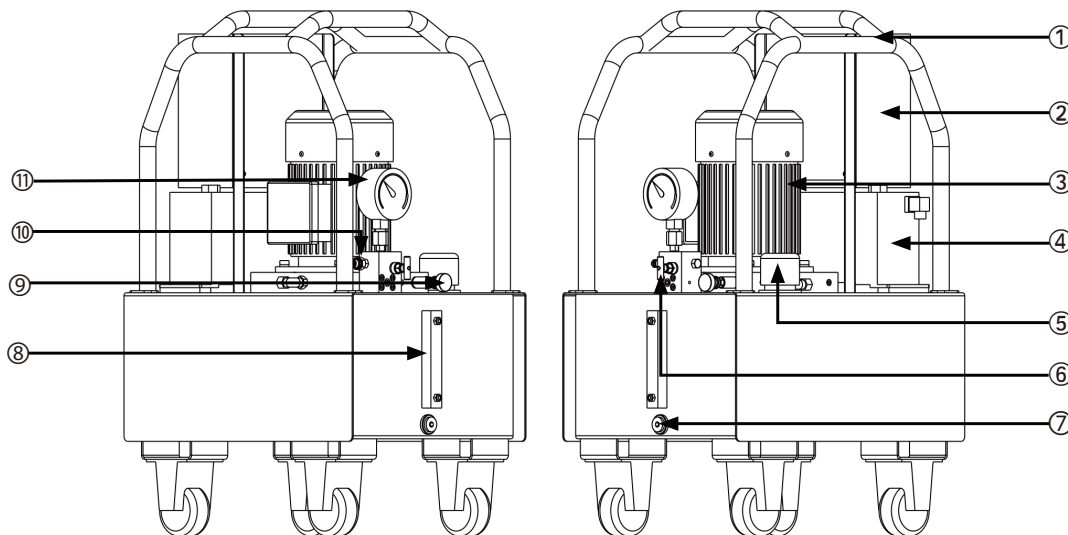
Reservoirs capacity: 60L

- ABB IEC brushless motor, maintenance-free
- Two-stage pump, high efficiency
- High pressure radial piston pump, no supercharger, long life
- Three-phase motor protector, effectively ensure motor safety
- Air-cooled radiator, low continuous operating temperature rise
- High pressure regulator, continuous pressure adjustable
- Weak wire control handle
- Media: ISO VG46 or Water glycol
- Equipped with heavy-duty casters and frames for easy movement and lifting

▼ EPU Type Specification Sheet:

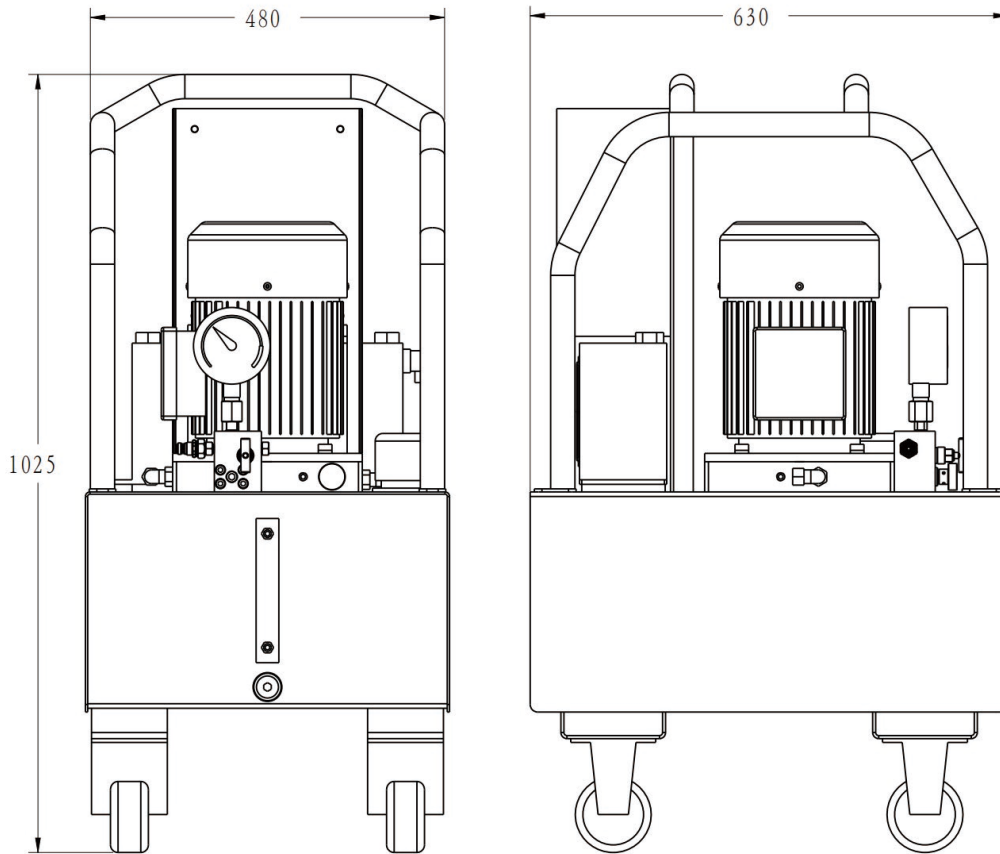
Model Number	Rated Pressure(bar)	Low Pressure Flow(L/Min)	High Pressure Flow(L/Min)	Voltage (VAC)	Motor size (KW)	Noise level(dB)	Reservoirs capacity(L)	Weight Without Oil(Kg)
EPU1500	1500	4.8	1.2	380/220	4	80	60	110
EPU2500	2500	4.8	0.8	380/220	4	80	60	110
EPU3500	3500	4.8	0.6	380/220	4	80	60	110

▼ EPU Product Illustration:



NO	Name
1	Protection Frame
2	Electric Box
3	Motor
4	Air-Cooled Radiator
5	Oil and Exhaust Port
6	Release Valve
7	Drain Port
8	Sight Glass
9	Relief Valve
10	Male Coupler
11	Gauge

▼ EPU Outline Dimensional Drawing:



▼ EPU Hydraulic Schematic Diagram:

