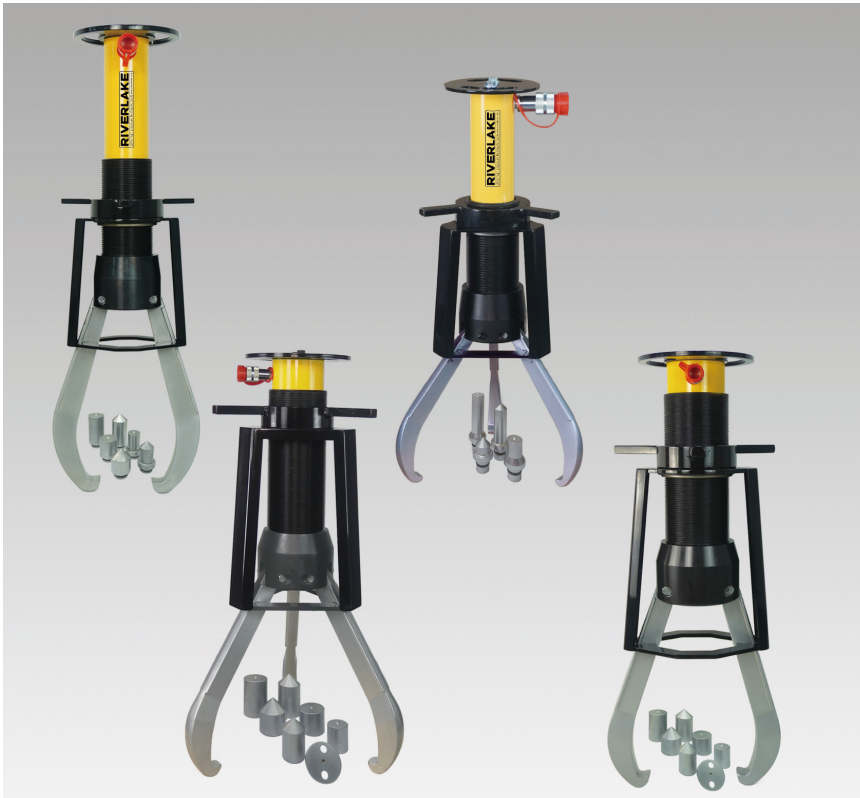


▼ EPH Series Safety Cage Hydraulic Puller



Working capacity: 10-50ton

Elongation: 203-355mm

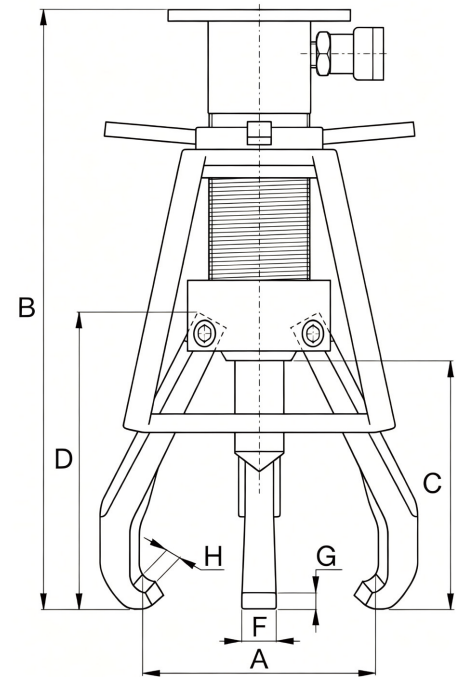
Length: 19-635mm

Maximum working pressure: 70MPa

- Safety Cage jaw retention system
- High force hydraulic system for effortless pulling of large components
- Slim tapered jaws for better gripping in tight spots
- Available in 2 and 3 jaw design
- More efficient pulling, as one man can do the job where manual pullers often require two operators.
- Standard accessories include ram point set and lifting plate.

▼ EPH Quick Selection Sheet




Model	Working ability (ton)	Frame wheel puller	Hydraulic cylinder	working stroke	Weight (KG)
2 Jaw Puller	10	EPH-208	RC-106	152	12
	15	EPH-210	RC-1510	254	20
	25	EPH-213	RC-2514	362	43
	50	EPH-216	RC-5013	336	107
3 Jaw Puller	10	EPH-108	RC-10	152	13
	15	EPH-110	RC-1510	254	21
	25	EPH-113	RC-2514	362	46
	50	EPH-116	RC-5013	336	110



▼ EPH Specification Sheet

Number Of Jaws	Maximum Spread	Working Capacity (Ton)	Model Number	Dimension (mm)							Weight (KG)
				Spread A (Min - Max)	Overall Length B	Maximum Reach C	Jaw length D	Jaw width F	Tip Clearance G	Tip Depth H	
2	304	10 (101)	EPH-208	19-304	498	203	237	22	7.4	6.9	12
	381	15 (142)	EPH-210	25-381	665	245	270	25	11.2	9.1	20
	457	25 (232)	EPH-213	63-457	846	304	348	31	12.9	9.7	43
	635	50 (498)	EPH-216	76-635	919	355	413	36	15	11.7	107
3	304	10 (101)	EPH-108	19-304	498	203	237	22	7.4	6.9	13
	381	15 (142)	EPH-110	25-381	665	245	270	25	11.2	9.1	21
	457	25 (232)	EPH-113	63-457	846	304	348	31	12.9	9.7	46
	635	50 (498)	EPH-116	76-635	919	355	413	36	15	11.7	110

▼ Ram Point Set Specification Sheet:

Fit Puller Set Model Number	EPH-208, EPH-210 EPH-108, EPH-110	EPH-213 EPH-113	EPH-216 EPH-116
			
Ram Point Set Model Number	EPH-155	EPH-257	EPH-508
Ram Point Includes	Ram Point Diameter: diameter × length (mm)		
Flat Ram Point	Ø25 x 25	Ø38 x 57	Ø51 x 76
	Ø25 x 76	Ø51 x 57	Ø70 x 76
	—	Ø51 x 102	Ø70 x 127
Tapered Ram Point	Ø25 x 38	Ø38 x 64	Ø51x 95
	Ø25 x 89	Ø51 x 64	Ø51x 95
	—	Ø51 x 114	Ø70x140
Screw fitting	—	—	Ø71x57

▼ Lift Plate Specification Table:

Fit Puller Set Model Number	Lift Plate Model Number	Thickness(mm)	Diameter(mm)
EPH-208	EPH-11052	6.4	Ø153
EPH-210	EPH-11052	6.4	Ø153
EPH-213	EPH-11052	6.4	Ø153
EPH-216	EPH-11052	6.4	Ø153
EPH-108	EPH-11352	9.7	Ø203
EPH-110	EPH-11352	9.7	Ø203
EPH-113	EPH-11652	9.7	Ø254
EPH-116	EPH-11652	9.7	Ø254



◆Includes mounting screws.