

▼ EP Series Hydraulic Pullers



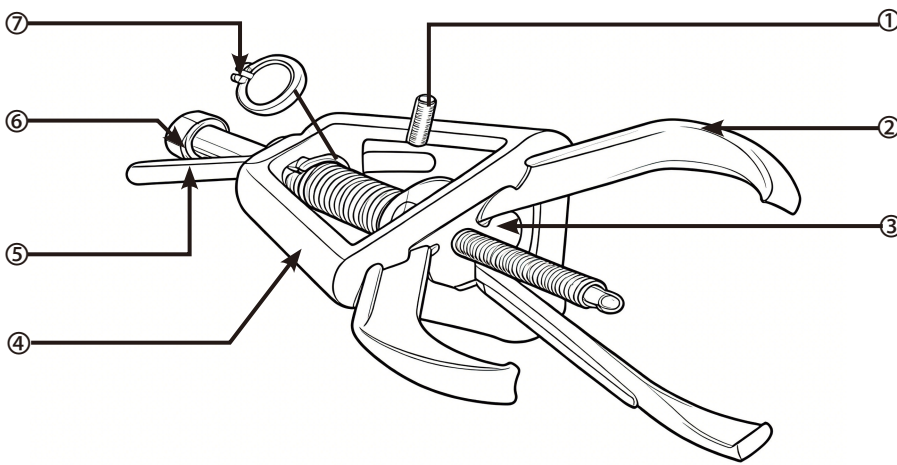
Working capacity: 2-40ton

Elongation: 101-355mm

Length: 12-635mm

Maximum working pressure: 70MPa

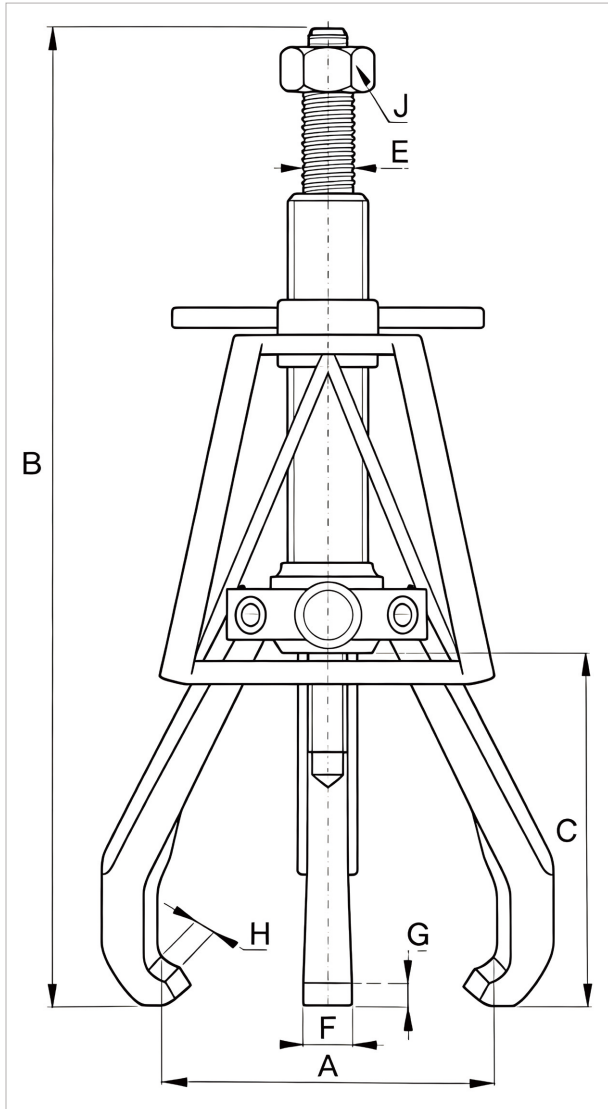
- Safety cage jaw design ensures safe gripping of workpieces and eliminates slipping risks.
- High-efficiency threaded drive shaft delivers high torque output with less effort, greatly reducing operating intensity.
- Slim, tapered jaws are ideal for pulling operations in narrow working spaces.
- Full range of structures available: 2/3-jaw types, built-in / external puller structures.
- Pulling operations can be efficiently completed by a single operator, significantly improving work efficiency.



NO	Name
1	Safety cage design protects jaws and safely grips workpieces
2	Forged jaws for durability and reliable positioning
3	Jaw head serves as the fulcrum and force application point of the jaw
4	Pin-type design enables quick assembly, disassembly and replacement of jaws
5	T-handle controls the opening and closing of jaws
6	Rolled threaded drive rod delivers high force with low torque
7	Snap ring secures the safety cage for easy assembly, disassembly and maintenance

Model	Number of jaws	Max. reach (mm)	Opening range Min.-Max. (mm)	Load capacity (ton (kN))	Jaw arm length (mm)	Max. torque (N•m)
EP-204	2	101	12 - 127	2 (17)	14	27
EP-104	3	101	12 - 127	5 (45)	14	54
EP-206	2	152	12 - 178	6 (53)	16	102
EP-106	3	152	12 - 178	10 (89)	16	176
EP-208	2	203	19 - 304	12 (106)	20	203
EP-108	3	203	19 - 304	17 (151)	20	298
EP-210	2	245	25 - 381	14 (124)	20	237
EP-110	3	245	25 - 381	20 (178)	20	373
EP-213	2	304	63 - 457	25 (222)	29	644
EP-113	3	304	63 - 457	30 (267)	29	814
EP-216	2	355	76 - 635	35 (311)	31	1085
EP-116	3	355	76 - 635	40 (356)	31	1153

▼ EP Series 2/3-Jaw External Puller





Shaft Attachments combine shaft protection and extension functions, are easily installed on standard pullers, and protect the rod end while increasing reach.

▼ Shaft Attachments Sheet

Length (mm)	Dia. (mm)	Center Screw Length Increase (mm)	Model
25	19	9	EPP-4
50	19	38	EPX-4
31	22	12	EPP-6
50	22	38	EPX-6
31	25	12	EPP-10
50	25	38	EPX-10
50	35	21	EPP-1316

*Optional Accessories

Dimensions									Model		
Opening Min.-Max. (mm)	Overall Length (mm)	Max. Reach (mm)	Center Screw Diameter (mm)	Jaw Width (mm)	Jaw Tip Spacing (mm)	Jaw Thickness (mm)	Hex Nut Size (inch)				
12 - 127	245 - 323	101	14	15	4.1	4.6	7/8	EP-204	EPX-4	-	
12 - 127	245 - 323	101	14	15	4.1	4.6	7/8	EP-104	EPX-4	-	
12 - 178	323 - 476	152	16	19	8.1	6.1	1 ¹ / ₁₆	EP-206	EPX-6	-	
12 - 178	323 - 476	152	16	19	8.1	6.1	1 ¹ / ₁₆	EP-106	EPX-6	-	
19 - 304	412 - 615	203	20	22	6.4	9.1	1 ¹ / ₄	EP-208	EPX-10	EP-11054	
19 - 304	412 - 615	203	20	22	6.4	9.1	1 ¹ / ₄	EP-108	EPX-10	EP-11054	
25 - 381	489 - 736	245	20	25	6.4	9.1	1 ¹ / ₄	EP-210	EPX-10	EP-11054L	
25 - 381	489 - 736	245	20	25	6.4	9.1	1 ¹ / ₄	EP-110	EPX-10	EP-11054L	
63 - 457	660 - 965	304	29	31	12.7	9.7	1 ¹¹ / ₁₆	EP-213	-	EP-11354L	
63 - 457	660 - 965	304	29	31	12.7	9.7	1 ¹¹ / ₁₆	EP-113	-	EP-11354L	
76 - 635	800 - 1155	355	31	36	13.5	11.7	1 ¹³ / ₁₆	EP-216	-	EP-11654L	
76 - 635	800 - 1155	355	31	36	13.5	11.7	1 ¹³ / ₁₆	EP-116	-	EP-11654L	