

## ▼ EHP Series Hydraulic Puller



### EHP Series Hydraulic Puller

Working capacity: 10-50ton

Elongation: 203-355mm

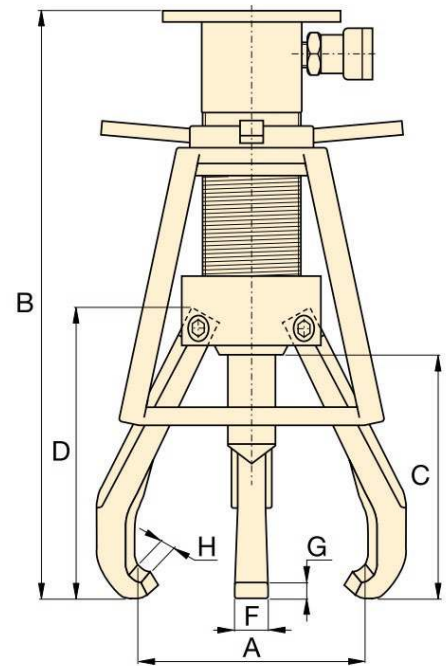
Length: 19-635mm

Maximum working pressure: 700bar

- Safety cage clamp construction.
- Powerful hydraulic system allows easy removal of larger components.
- More efficient removal operation, one person can operate.
- Standard rod kit and lift tray.

### ▼ Type Specification Sheet:




Model Number	Working ability	Frame wheel puller	Hydraulic cylinder	working stroke	Weight (KG)
Wrench wheel puller (2 claws)	10	EHP-210	HRC-106	152	12
	15	EHP-215	HRC-1510	254	20
	25	EHP-225	HRC-2514	362	43
	50	EHP-250	HRC-5013	336	107
Wrench wheel puller (3 claws)	10	EHP-310	HRC-106	152	13
	15	EHP-315	HRC-1510	254	21
	25	EHP-325	HRC-2514	362	46
	50	EHP-350	HRC-5013	336	110



### ▼ EHP Quick Selection table:

Number of claws	Maximum stretch	Working ability (ton)	Model Number	dimension (mm)							Model Number
				Span A (Min - Max)	Total Length B	Maximum elongation C	Claw length D	Claw width E	Limb width F	Claw thickness G	
2	304	10 (101)	EHP-210	19-304	498	203	237	22	7.4	6.9	EHP-210
2	381	15 (142)	EHP-215	25-381	665	245	270	25	11.2	9.1	EHP-215
2	457	25 (232)	EHP-225	63-457	846	304	348	31	12.9	9.7	EHP-225
2	635	50 (498)	EHP-250	76-635	919	355	413	36	15	11.7	EHP-250
3	304	10 (101)	EHP-310	19-304	498	203	237	22	7.4	6.9	EHP-310
3	381	15 (142)	EHP-315	25-381	665	245	270	25	11.2	9.1	EHP-315
3	457	25 (232)	EHP-325	63-457	846	304	348	31	12.9	9.7	EHP-325
3	635	50 (498)	EHP-350	76-635	919	355	413	36	15	11.7	EHP-350

## ▼ Rod kit specification sheet:

	EHP-210, EHP-215 EHP-310, EHP-315	EHP-225 EHP-325	EHP-250 EHP-350
Wheel puller kit model			
Screw includes	Screw diameter × length (mm)		
Flat head screw	Ø25 x 25	Ø38 x 57	Ø51 x 70
	Ø25 x 76	Ø51 x 57	Ø70 x 70
	—	Ø51 x 102	Ø70 x 120
Taper lead screw	Ø25 x 25	Ø38 x 64	Ø51x 95
	Ø25 x 76	Ø51 x 64	Ø70x 95
	—	Ø51 x 114	Ø70x140
Screw fitting	—	—	Ø71x45

## ▼ Lifting disk specification table:

Wheel puller kit model	Model Number	thickness(mm)	diameter(mm)
EHP-2102	EHP-210	6	Ø153
EHP-2102	EHP-215	6	Ø153
EHP-2252	EHP-225	6	Ø153
EHP-2502	EHP-250	6	Ø153
EHP-3102	EHP-310	10	Ø203
EHP-3102	EHP-315	10	Ø203
EHP-3252	EHP-325	10	Ø254
EHP-3502	EHP-350	10	Ø254



◆Includes mounting screws.