

▼ EAJ-Series, Subsea Tensioners



Max. Force: 151.3-2320.9kN

Stroke: 20-30mm

Max. working pressure: 150MPa

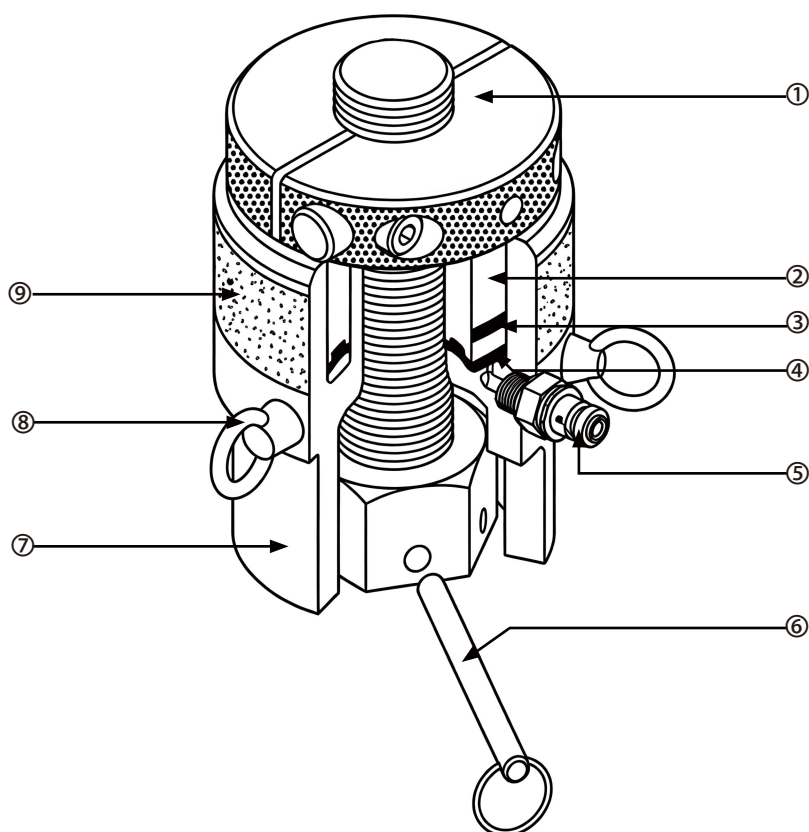
- Compact design
- Long piston stroke
- Compensates for misalignment
- Quick and simple hose connection
- Visible piston stroke indicator
- "No spill" over-stroke prevention
- Quick fastening or solid reaction nut



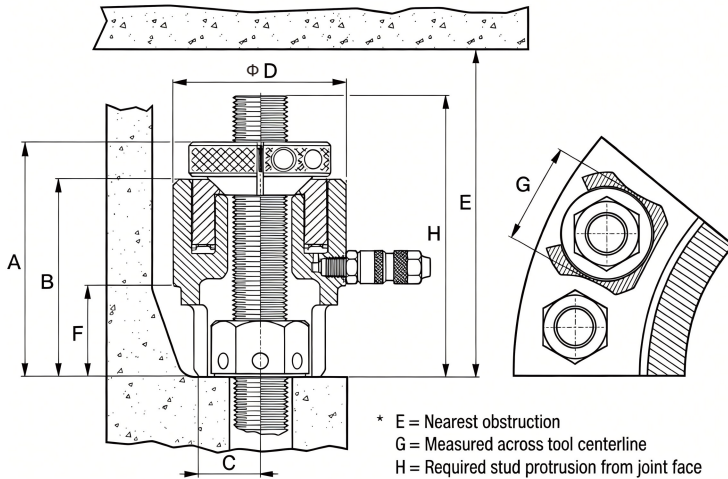
Quick Fastening Nut Design
Easily positioned in poor visibility conditions, subsea tensioners feature a compact design and long piston stroke.

The unique Nut design of these tools allows rapid application to long bolts and damaged threads, and rapid tool removal.

▼ EAJ Product Introduction



NO	Name
1	Quick Fastening Reaction Nut
2	Long Piston Stroke
3	Maximum Stroke Indicator Band
4	Self-Energising Seals
5	Hose Connections
6	Tommy Bar
7	Compact Body Design
8	Lifting Eyes
9	Anti-Slip Tool Surface



Load Cell Model Number	Thread Size	Quick Fastening Nut Model Number	Cylinder Effective Area (mm ²)	Max. Load Capacity (kN)	Stroke (mm)	Dimensions (mm)								Tool Weight (kg)
						A	B	C	D	E	F	G	H	
EAJ1LC	3/4" – 10 UN	EAJ1QFN0750U10	1008.7	151.3	20	114	91	19	66	217	35	53	119	1.5
	7/8" – 9 UN	EAJ1QFN0875U09	1008.7	151.3	20	114	91	19	66	217	35	53	119	1.5
	M20 × 2.5	EAJ1QFNM02025	1008.7	151.3	20	114	91	19	66	217	35	53	119	1.5
	M22 × 2.5	EAJ1QFNM02225	1008.7	151.3	20	114	91	19	66	217	35	53	119	1.5
EAJ2LC	1" – 8 UN	EAJ2QFN1000U08	1658.4	248.7	30	147	120	25	82	289	50	62	152	3
	M24 × 3.0	EAJ2QFNM02430	1658.4	248.7	30	147	120	25	82	289	50	62	152	3
	M27 × 3.0	EAJ2QFNM02730	1658.4	248.7	30	147	120	25	82	289	50	62	152	3
	1 1/8" – 8 UN	EAJ2QFN1125U08	1658.4	248.7	30	147	120	25	82	289	50	62	152	3
	M30 × 3.5	EAJ2QFNM03035	1658.4	248.7	30	147	120	25	82	289	50	62	152	3
EAJ3LC	1 1/4" – 8 UN	EAJ3QFN1250U08	2524.3	378.6	30	158	131	28	98	307	58	78	163	4.5
	M33 × 3.5	EAJ3QFNM03335	2524.3	378.6	30	158	131	28	98	307	58	78	163	4.5
	1 3/8" – 8 UN	EAJ3QFN1375U08	2524.3	378.6	30	158	131	28	98	307	58	78	163	4.5
	M36 × 4.0	EAJ3QFNM03640	2524.3	378.6	30	158	131	28	98	307	58	78	163	4.5
EAJ4LC	1 1/2" – 8 UN	EAJ4QFN1500U08	3686.7	553	30	171	136	33	114	319	63	91	176	6
	M39 × 4.0	EAJ4QFNM03940	3686.7	553	30	171	136	33	114	319	63	91	176	6
	1 5/8" – 8 UN	EAJ4QFN1625U08	3686.7	553	30	171	136	33	114	319	63	91	176	6
	M42 × 4.5	EAJ4QFNM04245	3686.7	553	30	171	136	33	114	319	63	91	176	6
EAJ5LC	1 3/4" – 8 UN	EAJ5QFN1750U08	5908.7	886.3	30	184	146	40	139	342	70	114	189	9
	M45 × 4.5	EAJ5QFNM04545	5908.7	886.3	30	184	146	40	139	342	70	114	189	9
	1 7/8" – 8 UN	EAJ5QFN1875U08	5908.7	886.3	30	184	146	40	139	342	70	114	189	9
	M48 × 5.0	EAJ5QFNM04850	5908.7	886.3	30	184	146	40	139	342	70	114	189	9
	2" – 8 UN	EAJ5QFN2000U08	5908.7	886.3	30	184	146	40	139	342	70	114	189	9
	M52 × 5.0	EAJ5QFNM05250	5908.7	886.3	30	184	146	40	139	342	70	114	189	9
EAJ6LC	M56 × 5.5	EAJ6QFNM05655	5908.7	886.3	30	184	146	40	139	342	70	114	189	9
	2 1/4" – 8 UN	EAJ6QFN2250U08	8312.8	1246.9	30	201	161	49	164	367	82	138	206	13
	M60 × 5.5	EAJ6QFNM06055	8312.8	1246.9	30	201	161	49	164	367	82	138	206	13
	2 1/2" – 8 UN	EAJ6QFN2500U08	8312.8	1246.9	30	201	161	49	164	367	82	138	206	13
EAJ7LC	M64 × 6.0	EAJ6QFNM06460	8312.8	1246.9	30	201	161	49	164	367	82	138	206	13
	M68 × 6.0	EAJ7QFNM06860	12.369.0	1855.4	30	230	178	75	192	400	95	154	235	19
	2 3/4" – 8 UN	EAJ7QFN2750U08	12.369.0	1855.4	30	230	178	75	192	400	95	154	235	19
	M72 × 6.0	EAJ7QFNM07260	12.369.0	1855.4	30	230	178	75	192	400	95	154	235	19
EAJ8LC	M76 × 6.0	EAJ7QFNM07660	12.369.0	1855.4	30	230	178	75	192	400	95	154	235	19
	3" – 8 UN	EAJ7QFN3000U08	12.369.0	1855.4	30	230	178	75	192	400	95	154	235	19
	M80 × 6.0	EAJ8QFNM08060	15.473.0	2320.9	30	247	193	68	216	412	109	182	252	24.5
	3 1/4" – 8 UN	EAJ8QFN3250U08	15.473.0	2320.9	30	247	193	68	216	412	109	182	252	24.5
	M85 × 6.0	EAJ8QFNM08560	15.473.0	2320.9	30	247	193	68	216	412	109	182	252	24.5
EAJ8LC	3 1/2" – 8 UN	EAJ8QFN3500U08	15.473.0	2320.9	30	247	193	68	216	412	109	182	252	24.5
	M90 × 6.0	EAJ8QFNM09060	15.473.0	2320.9	30	247	193	68	216	412	109	182	252	24.5

*Tommy Bar is included with Load Cell