

▼ CLSG Single-Acting High-Tonnage Cylinders

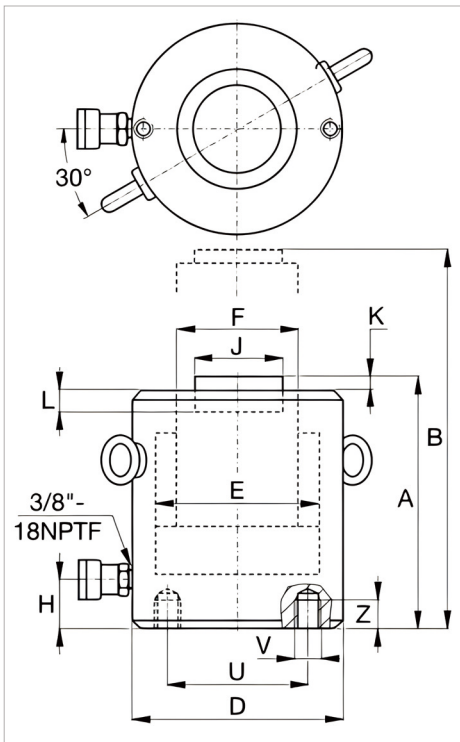


Rated Pressure: 70MPa

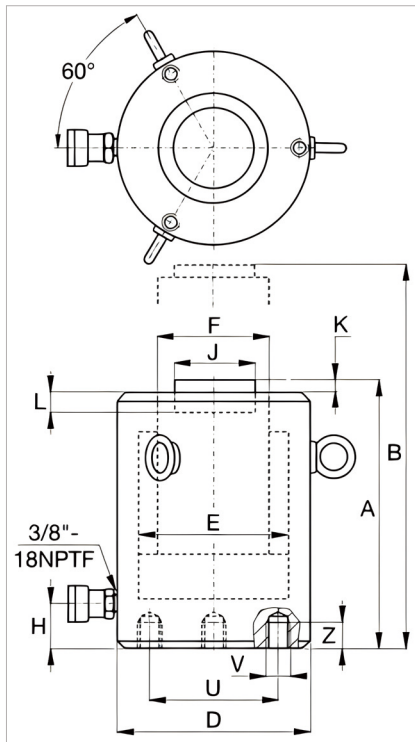
Rated Tonnage: 50 -1000ton

Stroke Range: 50-300mm

- Integral stop ring prevents plunger over-extension
- Baked enamel finish provides enhanced corrosion resistance
- Interchangeable hard grooved saddle is standard
- Standard base mounting holes on all models
- Dust wiper reduces contamination and extends hydraulic cylinder service life
- Single-acting, load return



CLSG502-CLSG15012

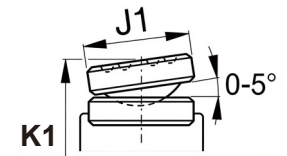
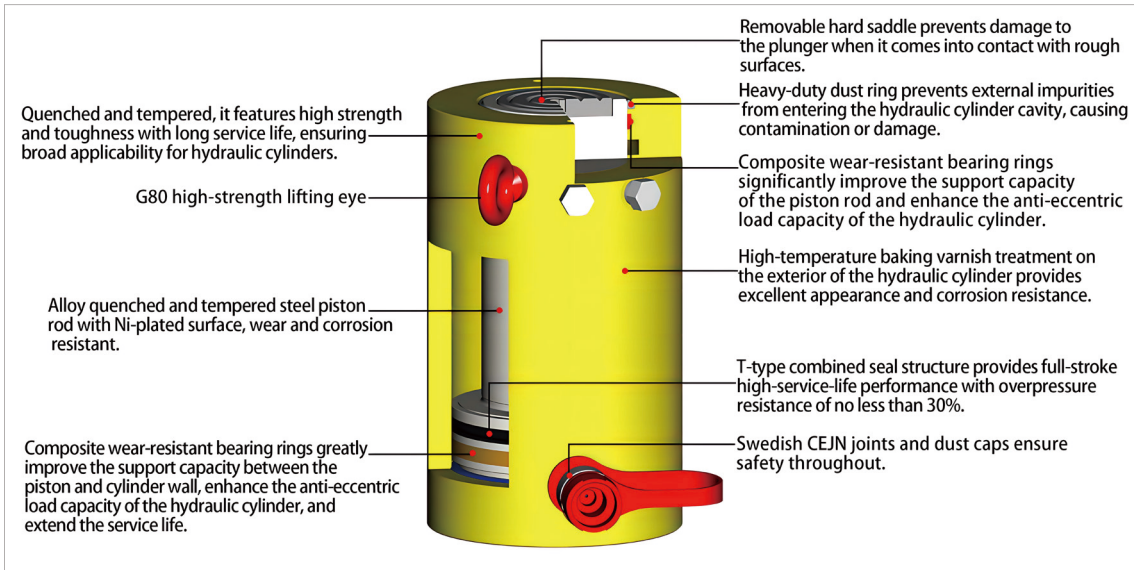


CLSG502-CLSG15012

Base Mounting Hole Dimensions			
Model / Load Capacity (ton)	Bolt Circle Diameter U (mm)	Thread Size V	Minimum Thread Depth Z (mm)
CLSG50	80	2x M8	12
CLSG100	110	2x M8	12
CLSG150	130	2x M8	12
CLSG200	165	3x M10	15
CLSG250	190	3x M10	15
CLSG300	200	3x M10	15
CLSG400	230	3x M14	20
CLSG500	250	3x M14	20
CLSG600	275	3x M14	20
CLSG800	330	3x M20	25
CLSG1000	360	3x M20	25

Load Capacity (ton (kN))	Stroke (mm)	Model	Effective Cylinder Area (cm ²)
50 (550)	50	CLSG502	78.6
50 (550)	100	CLSG504	78.6
50 (550)	150	CLSG506	78.6
50 (550)	200	CLSG508	78.6
50 (550)	250	CLSG5010	78.6
50 (550)	300	CLSG5012	78.6
100 (1002)	50	CLSG1002	143.1
100 (1002)	100	CLSG1004	143.1
100 (1002)	150	CLSG1006	143.1
100 (1002)	200	CLSG1008	143.1
100 (1002)	250	CLSG10010	143.1
100 (1002)	300	CLSG10012	143.1
150 (1497)	50	CLSG1502	213.9
150 (1497)	100	CLSG1504	213.9
150 (1497)	150	CLSG1506	213.9
150 (1497)	200	CLSG1508	213.9
150 (1497)	250	CLSG15010	213.9
150 (1497)	300	CLSG15012	213.9
200 (1964)	50	CLSG2002	280.6
200 (1964)	150	CLSG2006	280.6
200 (1964)	300	CLSG20012	280.6
250 (2565)	50	CLSG2502	366.4
250 (2565)	150	CLSG2506	366.4
250 (2565)	300	CLSG25012	366.4
300 (3167)	50	CLSG3002	452.4
300 (3167)	150	CLSG3006	452.4
300 (3167)	300	CLSG30012	452.4
400 (4008)	50	CLSG4002	572.6
400 (4008)	150	CLSG4006	572.6
400 (4008)	300	CLSG40012	572.6
500 (4948)	50	CLSG5002	706.9
500 (4948)	150	CLSG5006	706.9
500 (4948)	300	CLSG50012	706.9
600 (5987)	50	CLSG6002	855.3
600 (5987)	150	CLSG6006	855.3
600 (5987)	300	CLSG60012	855.3
800 (7939)	50	CLSG8002	1134.1
800 (7939)	150	CLSG8006	1134.1
800 (7939)	300	CLSG80012	1134.1
1000 (9698)	50	CLSG10002	1385.4
1000 (9698)	150	CLSG10006	1385.4
1000 (9698)	300	CLSG100012	1385.4

► CLSG Performance Introduction



*Optional Tilt Saddle

Oil Capacity (cm ³)	Body Height A (mm)	Extended Height B (mm)	Outer Diameter D (mm)	Cylinder Bore Diameter E (mm)	Plunger Diameter F (mm)	Oil Inlet Height from Base H (mm)	Standard Saddle Diameter J (mm)	Saddle Protrusion Height K (mm)	Plunger Bore Depth L (mm)	Weight (KG)	Model	Saddle Diameter J1 (mm)	Saddle Height K1 (mm)	Saddle Model
385	162	212	130	100	70	52	50	1	19	17	CLSG502	50	24	CATG50
770	212	312	130	100	70	52	50	1	19	20	CLSG504	50	24	CATG50
1155	262	412	130	100	70	52	50	1	19	23	CLSG506	50	24	CATG50
1540	312	512	130	100	70	52	50	1	19	27	CLSG508	50	24	CATG50
1924	362	612	130	100	70	52	50	1	19	31	CLSG5010	50	24	CATG50
2309	412	712	130	100	70	52	50	1	19	34	CLSG5012	50	24	CATG50
664	182	232	165	135	95	54	75	1	19	29	CLSG1002	75	29	CATG100
1327	232	332	165	135	95	54	75	1	19	34	CLSG1004	75	29	CATG100
1991	282	432	165	135	95	54	75	1	19	40	CLSG1006	75	29	CATG100
2655	332	532	165	135	95	54	75	1	19	46	CLSG1008	75	29	CATG100
3318	382	632	165	135	95	54	75	1	19	52	CLSG10010	75	29	CATG100
3982	432	732	165	135	95	54	75	1	19	58	CLSG10012	75	29	CATG100
993	196	246	205	165	115	61	94	1	19	39	CLSG1502	94	31	CATG150
1986	246	346	205	165	115	61	94	1	19	52	CLSG1504	94	31	CATG150
2978	296	446	205	165	115	61	94	1	19	65	CLSG1506	94	31	CATG150
3971	346	546	205	165	115	61	94	1	19	78	CLSG1508	94	31	CATG150
4964	396	646	205	165	115	61	94	1	19	92	CLSG15010	94	31	CATG150
5957	446	746	205	165	115	61	94	1	19	105	CLSG15012	94	31	CATG150
1330	216	266	235	189	135	67	113	1	24	55	CLSG2002	113	35	CATG200
3989	316	466	235	189	135	67	113	1	24	91	CLSG2006	113	35	CATG200
7977	466	766	235	189	135	67	113	1	24	146	CLSG20012	113	35	CATG200
1832	235	285	275	216	165	73	145	1	24	89	CLSG2502	145	46	CATG250
5497	335	485	275	216	165	73	145	1	24	136	CLSG2506	145	46	CATG250
10993	485	785	275	216	165	73	145	1	24	207	CLSG25012	145	46	CATG250
2281	312	362	310	240	195	101	177	1	19	184	CLSG3002	177	62	CATG300
6843	412	562	310	240	195	101	177	1	19	232	CLSG3006	177	62	CATG300
13685	562	862	310	240	195	101	177	1	19	303	CLSG30012	177	62	CATG300
2800	375	425	350	270	215	114	196	3	27	270	CLSG4002	196	51	CATG400
8399	475	625	350	270	215	114	196	3	27	330	CLSG4006	196	51	CATG400
16797	625	925	350	270	215	114	196	3	27	421	CLSG40012	196	51	CATG400
3653	419	469	400	300	245	114	228	3	27	401	CLSG5002	228	63	CATG500
10959	519	669	400	300	245	114	228	3	27	480	CLSG5006	228	63	CATG500
21918	669	969	400	300	245	114	228	3	27	599	CLSG50012	228	63	CATG500
4276	429	479	430	330	245	114	228	3	27	474	CLSG6002	228	76	CATG600
12829	529	679	430	330	245	114	228	3	27	565	CLSG6006	228	76	CATG600
25659	679	979	430	330	245	114	228	3	27	701	CLSG60012	228	76	CATG600
5881	474	524	505	380	315	149	297	3	27	741	CLSG8002	297	75	CATG800
17644	574	724	505	380	315	149	297	3	27	868	CLSG8006	297	75	CATG800
35288	724	1024	505	380	315	149	297	3	27	1058	CLSG80012	297	75	CATG800
7329	564	614	560	420	340	174	323	3	27	1062	CLSG10002	323	93	CATG1000
21986	664	814	560	420	340	174	323	3	27	1213	CLSG10006	323	93	CATG1000
43972	814	1114	560	420	340	174	323	3	27	1439	CLSG100012	323	93	CATG1000