

▼ CLRG Double-Acting High-Tonnage Cylinders

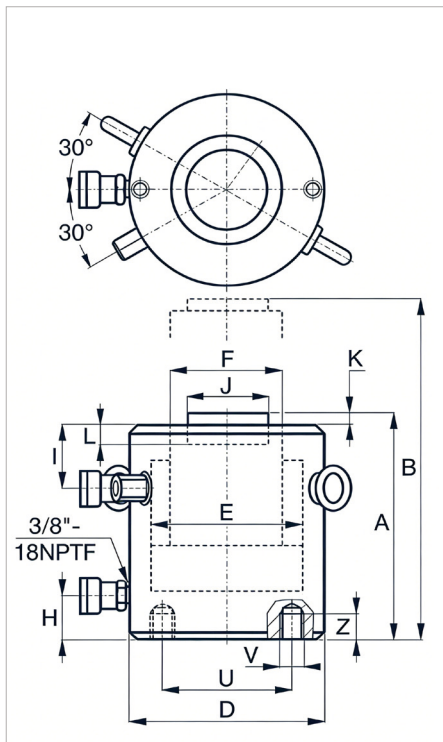


Rated Pressure: 70MPa

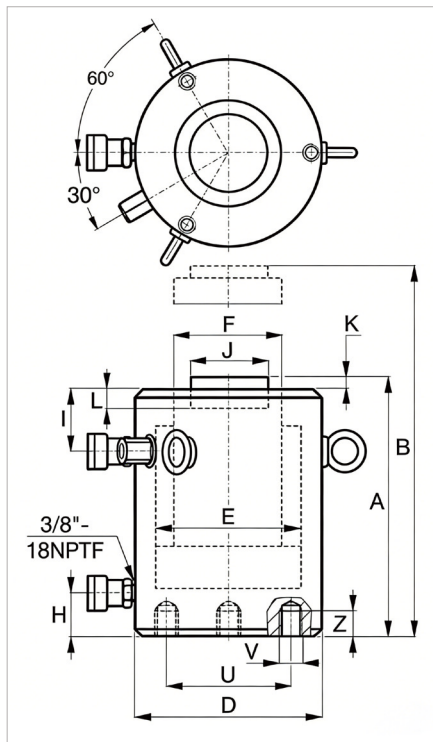
Rated Tonnage: 50 - 1000ton

Stroke Range: 50-300mm

- Double-acting, suitable for both push and pull applications
- Top cavity safety valve prevents hazards from accidental overpressure
- Dust wiper reduces contamination and extends service life of hydraulic cylinders
- Baked enamel surface offers enhanced corrosion resistance
- Standard base mounting holes provided on all models



CLRG502-CLRG15012



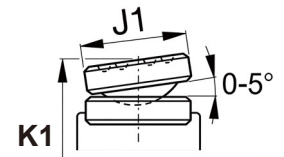
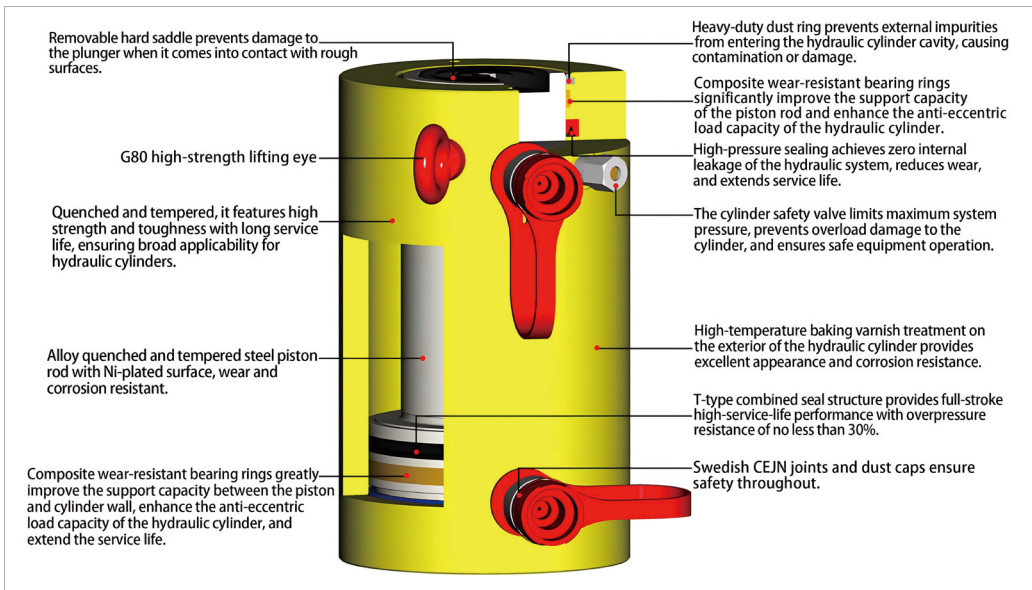
CLRG2002-CLRG10012

Load Capacity (ton (kN))	Stroke (mm)	Model	Max. Cylinder Load Capacity (kN)	
			Push	Pull
50 (539)	50	CLRG502	550	280
50 (539)	100	CLRG504	550	280
50 (539)	150	CLRG506	550	280
50 (539)	200	CLRG508	550	280
50 (539)	250	CLRG5010	550	280
50 (539)	300	CLRG5012	550	280
100 (929)	50	CLRG1002	1002	506
100 (929)	100	CLRG1004	1002	506
100 (929)	150	CLRG1006	1002	506
100 (929)	200	CLRG1008	1002	506
100 (929)	250	CLRG10010	1002	506
100 (929)	300	CLRG10012	1002	506
150 (1390)	50	CLRG1502	1497	770
150 (1390)	100	CLRG1504	1497	770
150 (1390)	150	CLRG1506	1497	770
150 (1390)	200	CLRG1508	1497	770
150 (1390)	250	CLRG15010	1497	770
150 (1390)	300	CLRG15012	1497	770
200 (1861)	50	CLRG2002	1964	962
200 (1861)	150	CLRG2006	1964	962
200 (1861)	300	CLRG20012	1964	962
250 (2565)	50	CLRG2502	2565	1068
250 (2565)	150	CLRG2506	2565	1068
250 (2565)	300	CLRG25012	2565	1068
300 (3193)	50	CLRG3002	3167	1076
300 (3193)	150	CLRG3006	3167	1076
300 (3193)	300	CLRG30012	3167	1076
400 (3919)	50	CLRG4002	4008	1467
400 (3919)	150	CLRG4006	4008	1467
400 (3919)	300	CLRG40012	4008	1467
500 (5114)	50	CLRG5002	4948	1648
500 (5114)	150	CLRG5006	4948	1648
500 (5114)	300	CLRG50012	4948	1648
600 (5987)	50	CLRG6002	5987	2687
600 (5987)	150	CLRG6006	5987	2687
600 (5987)	300	CLRG60012	5987	2687
800 (8234)	50	CLRG8002	7939	2484
800 (8234)	150	CLRG8006	7939	2484
800 (8234)	300	CLRG80012	7939	2484
1000 (10260)	50	CLRG10002	9698	3343
1000 (10260)	150	CLRG10006	9698	3343
1000 (10260)	300	CLRG100012	9698	3343

Base Mounting Hole Dimensions

Model / Load Capacity (ton)	Bolt Circle Diameter U (mm)	Thread Size V	Minimum Thread Depth Z (mm)
CLRG50	80	2x M8	12
CLRG100	110	2x M8	12
CLRG150	130	2x M8	12
CLRG200	165	3x M10	15
CLRG250	190	3x M10	15
CLRG300	200	3x M10	15
CLRG400	230	3x M14	20
CLRG500	250	3x M14	20
CLRG600	275	3x M14	20
CLRG800	330	3x M20	25
CLRG1000	360	3x M20	25

► CLRG Performance Introduction



*Optional Tilt Saddle

	Effective Cylinder Area (cm ²)		Oil Capacity (cm ³)		Body Height A (mm)	Extended Height B (mm)	Outer Diameter D (mm)	Cylinder Bore E (mm)	Plunger Diameter F (mm)	Inlet Ht. from Base H (mm)	Return Port from Top I (mm)	Std. Saddle Dia. J (mm)	Saddle Protrusion K (mm)	Plunger Bore Depth L (mm)	Weight (kg)	Model	Saddle Diameter J1 (mm)	Saddle Height K1 (mm)	Saddle Model
	Push	Pull	Push	Pull															
	78.6	40	393	200	162	212	130	100	70	40	42	50	1	10	17	CLRG502	50	19	CATG50
	78.6	40	786	400	212	312	130	100	70	40	42	50	1	10	20	CLRG504	50	19	CATG50
	78.6	40	1179	600	262	412	130	100	70	40	42	50	1	10	23	CLRG506	50	19	CATG50
	78.6	40	1571	800	312	512	130	100	70	40	42	50	1	10	27	CLRG508	50	19	CATG50
	78.6	40	1964	1000	362	612	130	100	70	40	42	50	1	10	31	CLRG5010	50	19	CATG50
	78.6	40	2357	1200	412	712	130	100	70	40	42	50	1	10	34	CLRG5012	50	19	CATG50
	143.1	72.3	716	361	179	229	165	135	95	43	44	75	1	10	29	CLRG1002	75	20	CATG100
	143.1	72.3	1431	723	229	329	165	135	95	43	44	75	1	10	34	CLRG1004	75	20	CATG100
	143.1	72.3	2147	1084	279	429	165	135	95	43	44	75	1	10	40	CLRG1006	75	20	CATG100
	143.1	72.3	2863	1446	329	529	165	135	95	43	44	75	1	10	46	CLRG1008	75	20	CATG100
	143.1	72.3	3579	1807	379	629	165	135	95	43	44	75	1	10	52	CLRG10010	75	20	CATG100
	143.1	72.3	4294	2169	429	729	165	135	95	43	44	75	1	10	58	CLRG10012	75	20	CATG100
	213.9	110	1069	550	196	246	205	165	115	47	48	94	1	10	39	CLRG1502	94	25	CATG150
	213.9	110	2139	1100	246	346	205	165	115	47	48	94	1	10	52	CLRG1504	94	25	CATG150
	213.9	110	3208	1650	296	446	205	165	115	47	48	94	1	10	65	CLRG1506	94	25	CATG150
	213.9	110	4277	2200	346	546	205	165	115	47	48	94	1	10	78	CLRG1508	94	25	CATG150
	213.9	110	5346	2750	396	646	205	165	115	47	48	94	1	10	92	CLRG15010	94	25	CATG150
	213.9	110	6416	3300	446	746	205	165	115	47	48	94	1	10	105	CLRG15012	94	25	CATG150
	280.6	137.4	1403	687	212	262	235	189	135	51	54	113	1	10	55	CLRG2002	113	32	CATG200
	280.6	137.4	4209	2061	312	462	235	189	135	51	54	113	1	10	91	CLRG2006	113	32	CATG200
	280.6	137.4	8417	4123	462	762	235	189	135	51	54	113	1	10	146	CLRG20012	113	32	CATG200
	366.4	152.6	1832	763	235	285	275	216	165	58	64	145	1	10	89	CLRG2502	145	38	CATG250
	366.4	152.6	5496	2289	335	485	275	216	165	58	64	145	1	10	136	CLRG2506	145	38	CATG250
	366.4	152.6	10993	4577	485	785	275	216	165	58	64	145	1	10	207	CLRG25012	145	38	CATG250
	452.4	153.7	2262	769	322	372	310	240	195	64	75	177	1	12	184	CLRG3002	177	41	CATG300
	452.4	153.7	6786	2306	422	572	310	240	195	64	75	177	1	12	232	CLRG3006	177	41	CATG300
	452.4	153.7	13573	4611	572	872	310	240	195	64	75	177	1	12	303	CLRG30012	177	41	CATG300
	572.6	209.6	2863	1048	374	424	350	270	215	74	90	196	3	12	270	CLRG4002	196	55	CATG400
	572.6	209.6	8589	3144	474	624	350	270	215	74	90	196	3	12	330	CLRG4006	196	55	CATG400
	572.6	209.6	17177	6287	624	924	350	270	215	74	90	196	3	12	421	CLRG40012	196	55	CATG400
	706.9	235.4	3534	1177	419	469	400	300	245	85	110	228	3	14	401	CLRG5002	228	60	CATG500
	706.9	235.4	10603	3531	519	669	400	300	245	85	110	228	3	14	480	CLRG5006	228	60	CATG500
	706.9	235.4	21206	7063	669	969	400	300	245	85	110	228	3	14	599	CLRG50012	228	60	CATG500
	855.3	383.9	4276	1919	429	479	430	330	245	90	115	228	3	14	474	CLRG6002	228	60	CATG600
	855.3	383.9	12829	5758	529	679	430	330	245	90	115	228	3	14	565	CLRG6006	228	60	CATG600
	855.3	383.9	25659	11516	679	979	430	330	245	90	115	228	3	14	701	CLRG60012	228	60	CATG600
	1134.1	354.9	5671	1774	484	534	505	380	315	98	130	297	3	18	741	CLRG8002	297	80	CATG800
	1134.1	354.9	17012	5323	584	734	505	380	315	98	130	297	3	18	868	CLRG8006	297	80	CATG800
	1134.1	354.9	34024	10646	734	1034	505	380	315	98	130	297	3	18	1058	CLRG80012	297	80	CATG800
	1385.4	477.6	6927	2388	564	614	560	420	340	110	149	323	3	20	1062	CLRG10002	323	98	CATG1000
	1385.4	477.6	20781	7164	664	814	560	420	340	110	149	323	3	20	1213	CLRG10006	323	98	CATG1000
	1385.4	477.6	41563	14327	814	1114	560	420	340	110	149	323	3	20	1439	CLRG100012	323	98	CATG1000