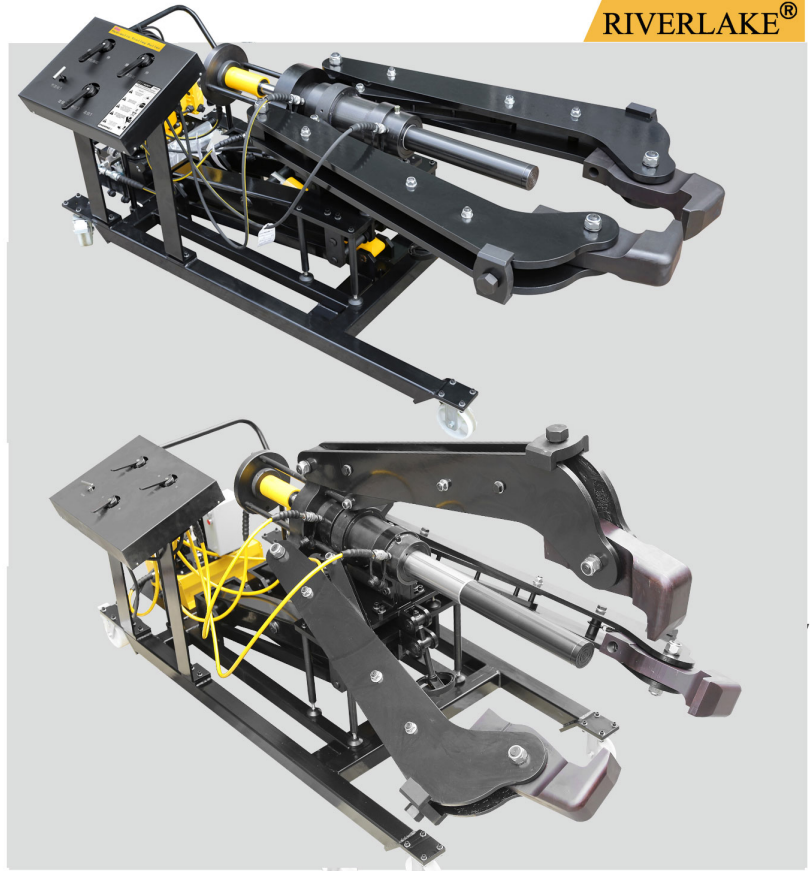


# EPHS系列车载液压拉马 EPHS-Series, Self-Centering Hydraulic Puller

RIVERLAKE®



工作能力:  
Capacity: **933-1861kN**

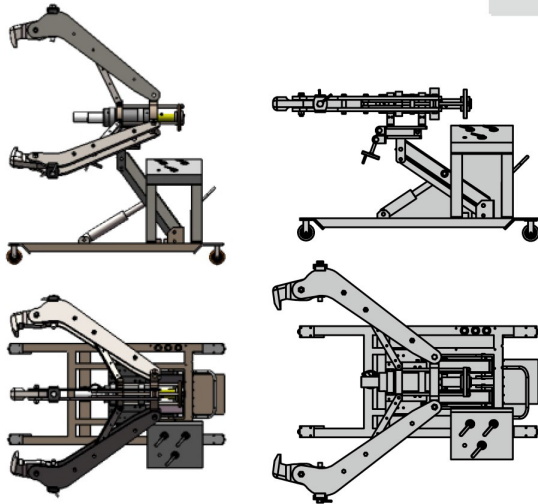
伸距:  
Reach: **803-880mm**

张距:  
Spread: **140-1580mm**

最大工作压力:  
Maximum Operating Pressure: **700 bar**

## 100T,200T 车载拉马/拔轮器(可配电动升降)

100T,200T  
Hydraulic Heavy Duty Puller  
(Can be equipped with electric lifting)



100T-3JAW车载式液压拉马, 由液压操纵来实现拉马的垂直高度位置调整、钳爪伸缩及工件拉拔。拉马主要包括钳爪机构、钳爪伸缩机构、主油缸高度调整机构、一个滚轮推车及相应机构元件; 液压元件及系统为700bar的超高压液压系统; 当运输拉马时, 应将拉马放置在最低位置上, 并卸掉钳爪延伸器。

- Hydraulic lifting system.
- Flow metering system provides constant lowering speed.
- Double acting hydraulic system for holding, opening & closing jaws provides safe and secure grip at all times.
- Self Centring design keeps puller jaws clamped evenly on the work piece.
- Easy jaw head adjusting system prevents puller jaws from sliding.
- Puller can be assembled in 2 or 3 jaw configuration
- Castors provide easy cart movement.
- Includes 230V electric pump.

特别提醒: 由于设计更新, 不同批次产品面板布置有所不同, 主要是伸缩油缸左右侧显示不同的动作, 只要按照面板标识进行操作即可。

Special reminder: due to the design update, different batches of product panel layout is different, mainly telescopic cylinder on the left and right side of the display of different actions, as long as in accordance with the panel logo can be operated.

型号 Model	拉拔能力 Capacity Tonnes	行程 Stroke	最大张距 Max Spread	最小拉伸距 Min Reach	最小张距 Min Spread	最大拉伸距 Max Reach	主油缸 最小中心高度 Min Central Height	主油缸 最大中心高度 Max Central Height	重量 Weight
	(kN)	(mm)	(mm)	(mm)	(mm)	(mm)	(mm)	(mm)	(T)
二爪 Two-jaw	100 T	933	1535	880	150	1035	855	1490	1.1
	200 T	1861	1580	803	140	955	855	1490	1.25
三爪 Three-jaw	100 T	933	1535	880	150	1035	855	1490	1.4
	200 T	1861	1580	803	140	955	855	1490	1.6