

RHW-Series, Low Profile Hydraulic Torque Wrench

RIVERLAKE®



- Maximum Torque: 38463 Nm
- Hexagon Range: 29.6-117.6 mm
- Nose Radius: 19-155 mm
- Maximum Operating Pressure: 700bar

Select the Right Torque

Choose your RIVERLAKE Torque Wrench using the untightening rule of thumb: Loosening torque equals about 150% of tightening torque.



Torque Wrench Pumps

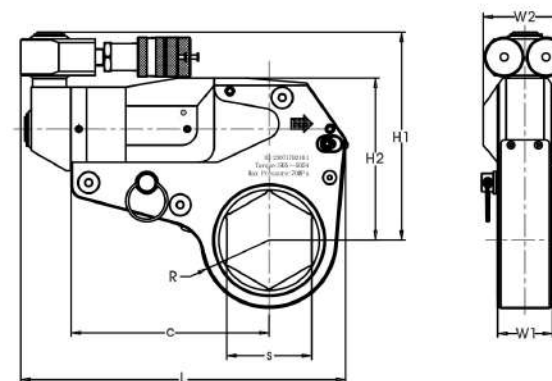
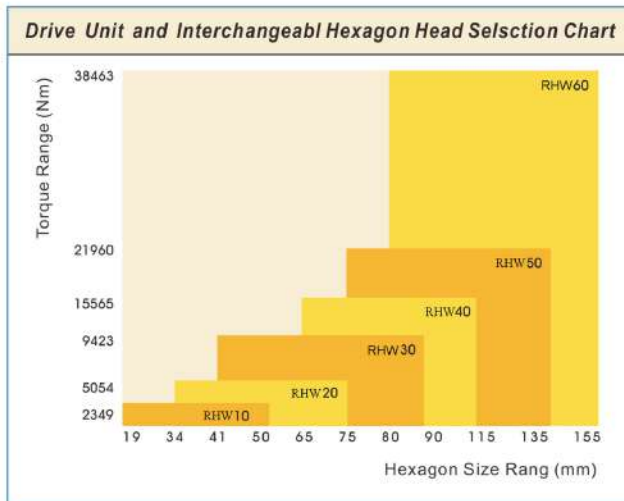
Air and electric torque wrench pumps that are ideal for use with hydraulic torque wrenches.



Features

- The low profile cassettes are made in compact and ultra slim structure to fit into tight spaces.
- Rigid steel design ensure the durability, reliability and safety of the tools.
- Maximum flexibility with full range Interchangeable hexagon cassettes and reducing inserts, no tools necessary .
- Compact nose radius allows the tool to perform easily in tighter spaces.
- Constant torque output provides accuracy up-to ±3% Multi direction high flow swivel manifold (360°X-axis * 180°Y-axis).
- Fast operation cycle, fine tooth ratchet, corrosion resistance, low weight, high strength design.

RHW-Series, Low Profile Hydraulic Torque Wrench



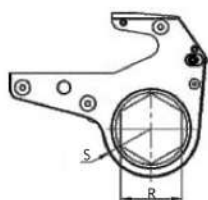
Drive Unit Model Number	Torque Range		Hexagon Range mm	Drive Unit Weight kg	Dimensions mm					
	N.m	Fl.lbs			L	C	H1	H2	W1	W2
RHW 10	235-2349	173-1733	19-50	0.7	203	116	131	96	32	50
RHW 20	505-5054	373-3728	34-75	1.7	249	151.5	160	124	42	64
RHW 30	942-9423	695-6950	41-90	3.1	305	188.5	196	160	53	75
RHW 40	1556-15565	1148-11481	65-115	4.3	332	234	242	191.5	64	87
RHW 50	2196-21960	1620-16198	75-135	6	382	270	265	215	73	97
RHW 60	3846-38463	2837-28370	80-155	10.6	449	317.5	305	255	85	120

RHW-Series, Low Profile Hydraulic Torque Wrench

RIVERLAKE®



Each type of low profile drive unit matches certain range of hexagon cassettes and reducers to cover the maximum range of nut sizes, which are tolerated by the torque value of the same drive unit. When selecting the proper cassette for the application, pay attention to the distance between the bolt and the wall side. Also pay attention to the distance between the hexagonal edge in the cassette and the outer edge of the link. The R value in the following table can guide you choose the right one.



Hexagon Reducers

The combinations of use of different cassettes and reducers provide the maximum capability to achieve diverse jobs, greatly improve the adaptability for different applications. Please refer to the next page for details.



Drive Unit Model Number	RHW 10		
Maximum Torque	2349 N.m		
Hexagon Head	S	R	Weight
	(mm)	(mm)	(kg)
RHWG10-50	50	40.8	1.5
RHWG10-46	46	38.1	1.5
RHWG10-41	41	35.1	1.4
RHWG10-36	36	31.6	1.36
RHWG10-34	34	31.6	1.3
RHWG10-32	32	30.6	1.4
RHWG10-30	30	30.6	1.4
RHWG10-27	27	29.6	1.4
RHWG10-24	24	29.6	1.4
RHWG10-22	22	29.6	1.4
RHWG10-19	19	29.6	1.4

Drive Unit Model Number	RHW20		
Maximum Torque	5054 N.m		
Hexagon Head	S	R	Weight
	(mm)	(mm)	(kg)
RHWG20-75	75	57.1	4.5
RHWG20-70	70	54.6	4.5
RHWG20-65	65	52.3	4.4
RHWG20-60	60	50.6	4.4
RHWG20-55	55	47.6	4.2
RHWG20-50	50	45.6	4.2
RHWG20-46	46	43.6	4
RHWG20-41	41	43.6	4.1
RHWG20-36	36	37.6	3.8
RHWG20-34	34	37.6	3.9

Drive Unit Model Number	RHW 30		
Maximum Torque	9423N.m		
Hexagon Head	S	R	Weight
	(mm)	(mm)	(kg)
RHWG30-90	90	68.6	6.5
RHWG30-85	85	67.6	6.5
RHWG30-80	80	64.6	6.3
RHWG30-75	75	61.6	6.3
RHWG30-70	70	59.6	6.1
RHWG30-65	65	56.6	5.9
RHWG30-60	60	53.6	5.8
RHWG30-55	55	51.6	5.6
RHWG30-50	50	47.6	5.3
RHWG30-46	46	47.6	5.5
RHWG30-41	41	47.6	5.5

Drive Unit Model Number	RHW40		
Maximum Torque	15565 N.m		
Hexagon Head	S	R	Weight
	(mm)	(mm)	(kg)
RHWG40-115	115	86.6	11.9
RHWG40-110	110	86.6	11.6
RHWG40-105	105	80.6	11.4
RHWG40-100	100	80.6	11.3
RHWG40-95	95	74.6	11
RHWG40-90	90	72.6	11
RHWG40-85	85	69.6	10.8
RHWG40-80	80	66.6	10.7
RHWG40-75	75	63.6	10.7
RHWG40-70	70	58.6	10.5
RHWG40-65	65	58.6	10.6

Drive Unit Model Number	RHW50		
Maximum Torque	21960 N.m		
Hexagon Head	S	R	Weight
	(mm)	(mm)	(kg)
RHWG50-135	135	100.6	18
RHWG50-130	130	100.6	18.2
RHWG50-125	125	95.6	17.8
RHWG50-120	120	95.6	17.9
RHWG50-115	115	88.6	17.6
RHWG50-110	110	85.6	17.4
RHWG50-105	105	85.6	17.5
RHWG50-100	100	78.6	17.1
RHWG50-95	95	76.6	16.9
RHWG50-90	90	73.6	16.8
RHWG50-85	85	70.6	16.8
RHWG50-80	80	67.6	16.5
RHWG50-75	75	64.6	16.5

Drive Unit Model Number	RHW 60		
Maximum Torque	38463 N.m		
Hexagon Head	S	R	Weight
	(mm)	(mm)	(kg)
RHWG60-155	155	117.6	29.5
RHWG60-150	150	115.6	29.1
RHWG60-145	145	111.6	28.9
RHWG60-140	140	107.6	28.9
RHWG60-135	135	105.6	28.8
RHWG60-130	130	102.6	28.5
RHWG60-125	125	100.5	28.5
RHWG60-120	120	95	28.3
RHWG60-115	115	92	28.3
RHWG60-110	110	90	28.3
RHWG60-105	105	87	27.9
RHWG60-100	100	83	27.9
RHWG60-95	95	80	27.5
RHWG60-90	90	78	27.5
RHWG60-85	85	75	27.1
RHWG60-80	80	70	27.1

RHW-Series, Low Profile Hydraulic Torque Wrench

Features

- High-strength chromium-molybdenum steel alloy .
- Special sizes available upon request .



The following work for standard and standard transition, if you want to order non-standard Products, please indicate the bolt diameter, nut on the edge, bolt level such as concrete requirements.

Wrench Model Number	Hexagon Head Model Number	Hexagon Size(mm)	Hexagon Reducers Model Number						Reducer Lock Model
			Model Number	A/B(mm)	Model Number	A/B(mm)	Model Number	A/B(mm)	
RHW10	RHWG10-50	50	2SH5041	50/41	2SH5036	50/36	2SH5032	50/32	H-50
	RHWG10-46	46	2SH4636	46/36	2SH4632	46/32	2SH4630	46/30	H-46
	RHWG10-41	41	2SH4132	41/32	2SH4130	41/30	2SH4127	41/27	H-41
	RHWG10-36	36	2SH3630	36/30	2SH3627	36/27			H-36
	RHWG10-32	32	2SH3227	32/27					H-32
	RHWG10-27	27	4SH7565	75/65	4SH7560	75/60	4SH7555	75/55	H-75
RHW20	RHWG20-70	70	4SH7060	70/60	4SH7055	70/55	4SH7050	70/50	H-70
	RHWG20-65	65	4SH6555	65/55	4SH6550	65/50	4SH6546	65/46	H-65
	RHWG20-60	60	4SH6050	60/50	4SH6046	60/46	4SH6041	60/41	H-60
	RHWG20-55	55	4SH5546	55/46	4SH5541	55/41	4SH5536	55/36	H-55
	RHWG20-50	50	4SH5041	50/41	4SH5036	50/36	4SH5032	50/32	H-50
	RHWG20-46	46	4SH4636	46/36	4SH4632	46/32	4SH4630	46/30	H-46
RHW30	RHWG30-85	85	8SH8575	85/75	8SH8570	85/70			H-85
	RHWG30-80	80	8SH8070	80/70	8SH8065	80/65	8SH8060	80/60	H-80
	RHWG30-75	75	8SH7565	75/65	8SH7560	75/60	8SH7555	75/55	H-75
	RHWG30-70	70	8SH7060	70/60	8SH7055	70/55	8SH7050	70/50	H-70
	RHWG30-65	65	8SH6555	65/55	8SH6550	65/50	8SH6546	65/46	H-65
	RHWG30-60	60	8SH6050	60/50	8SH6046	60/46			H-60
RHW40	RHWG40-115	115	14SH115105	115/105	14SH115100	115/100	14SH11505	115/05	H-115
	RHWG40-110	110	14SH110100	110/100	14SH11095	110/95	14SH11090	110/90	H-110
	RHWG40-105	105	14SH10595	105/95	14SH10590	105/90	14SH10585	105/85	H-105
	RHWG40-100	100	14SH10090	100/90	14SH10085	100/85	14SH10080	100/80	H-100
	RHWG40-95	95	14SH9585	95/85	14SH9580	95/80	14SH9575	95/75	H-95
	RHWG40-90	90	14SH9080	90/80	14SH9075	90/75	14SH9070	90/70	H-90
RHW50	RHWG50-135	135	18SH135125	135/125	18SH135120	135/120	18SH135115	135/115	H-135
	RHWG50-130	130	18SH130120	130/120	18SH130115	130/115	18SH130110	130/110	H-130
	RHWG50-120	120	18SH120110	120/110	18SH120105	120/105	18SH120100	120/100	H-120
	RHWG50-115	115	18SH115105	115/105	18SH115100	115/100	18SH11595	115/95	H-115
	RHWG50-110	110	18SH110100	110/100	18SH11095	110/95	18SH11090	110/90	H-110
	RHWG50-105	105	18SH10595	105/95	18SH10590	105/90	18SH10585	105/85	H-105
RHW60	RHWG60-155	155	30SH155145	155/145	30SH155140	155/140	30SH155135	155/135	H-155
	RHWG60-145	145	30SH145130	145/130	30SH145120	145/120	30SH145115	145/115	H-145
	RHWG60-130	130	30SH130120	130/120	30SH130115	130/115	30SH130110	130/110	H-130
	RHWG60-120	120	30SH120110	120/110	30SH120105	120/105	30SH120100	120/100	H-120
	RHWG60-115	115	30SH115105	115/105	30SH115100	115/100	30SH11595	115/95	H-115
	RHWG60-110	110	30SH110100	110/100	30SH11095	110/95	30SH11090	110/90	H-110